

TICKETING BOOTH

REFERENCE DWG'S: T-01 THRU T-08; A8, A9 & A10

PRINTS			REVISIONS		
No.	FOR	DATE	No.	DATE	REMARK
1S.	3P.	APPL.		03.27.03	AS PER NOTES

MATERIAL: A992-50. TUBES: ASTM A-500, GRADE B
 FITTINGS: A36
 BOLTS: 5/8"Ø A307 U.O.N.
 HOLES: 11/16"Ø U.O.N.
 WELDS: E70XX ELECTRODES
 FINISH: AS PER SPECIFICATION

ELIOU & SCOPELITIS STEEL FABRICATION
 319 FROST ST., BROOKLYN, NY 11222

TITLE: TICKETING BOOTH GENERAL ARRANGEMENT
 NEW YORK, NY

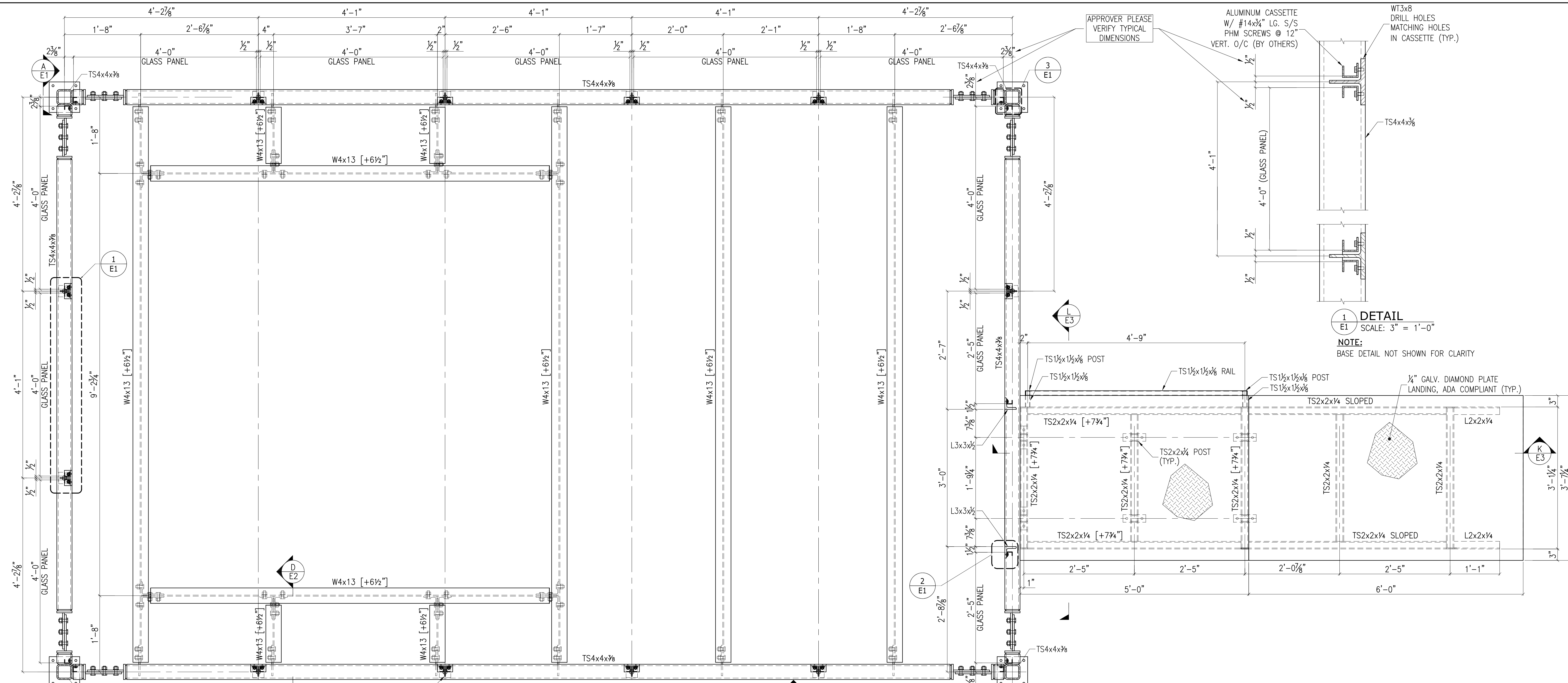
PROJECT: TICKETING BOOTH STORY CORPS
 NEW YORK, NY

ARCHITECT: MESH ARCHITECTURES

ENGINEER: FRONT INC IN ASSOCIATION WITH
 GOLDREICH ENGINEERING, P.C.

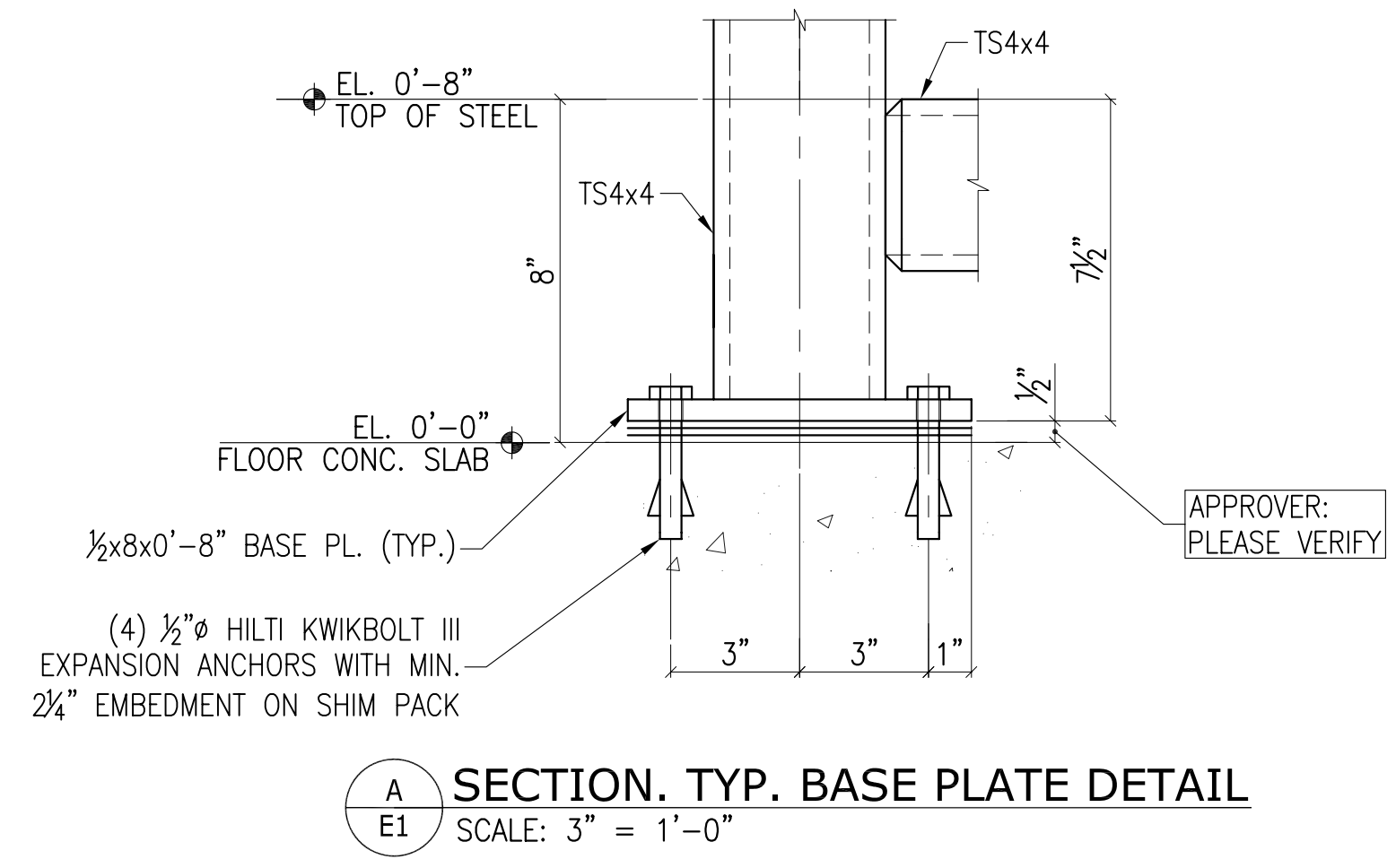
G.C. :

DWN BY	DATE	JOB No.	DRAWING
A.B.	05/05	.	E0

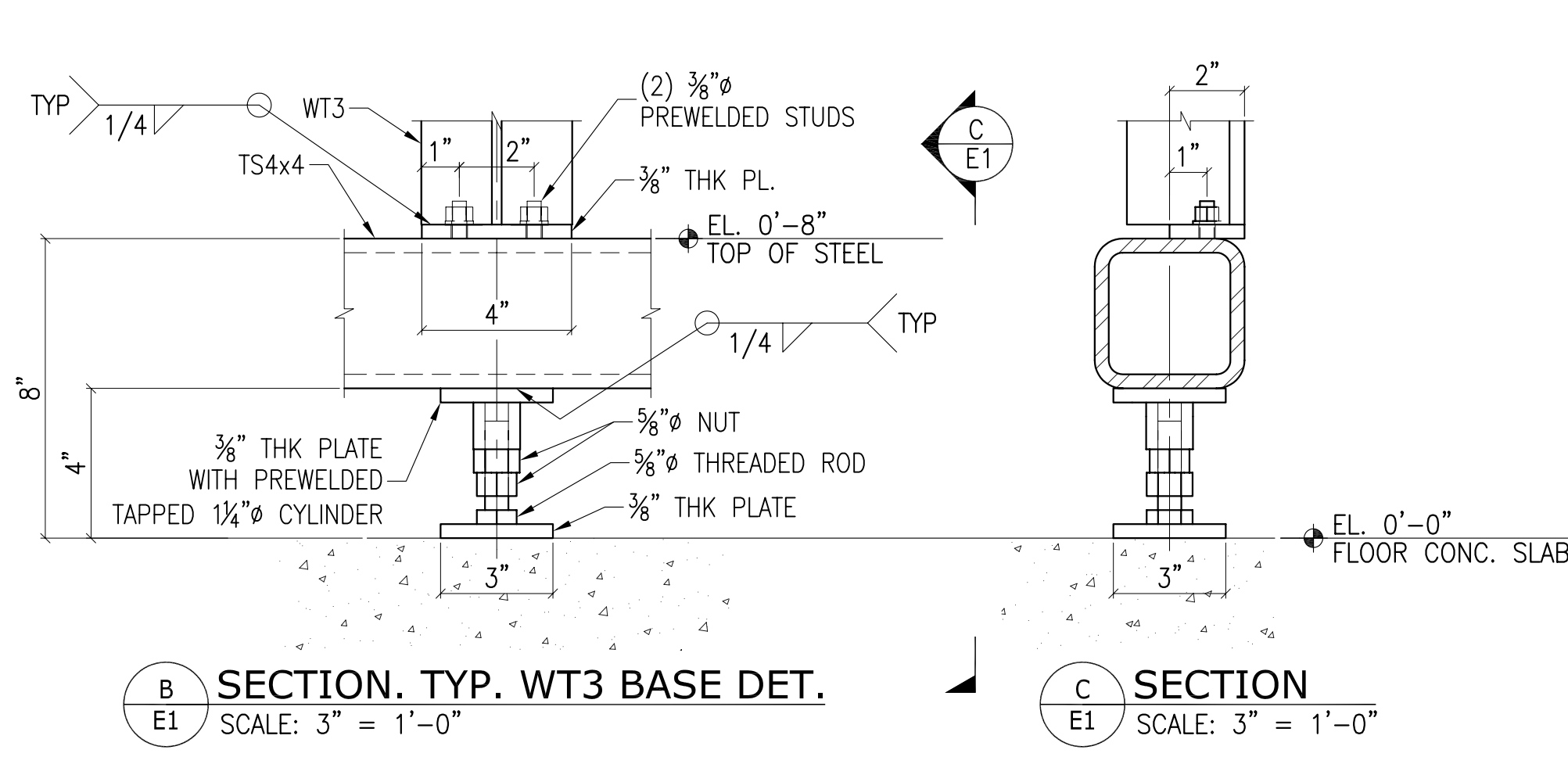


TICKETING BOOTH FLOOR FRAMING PLAN

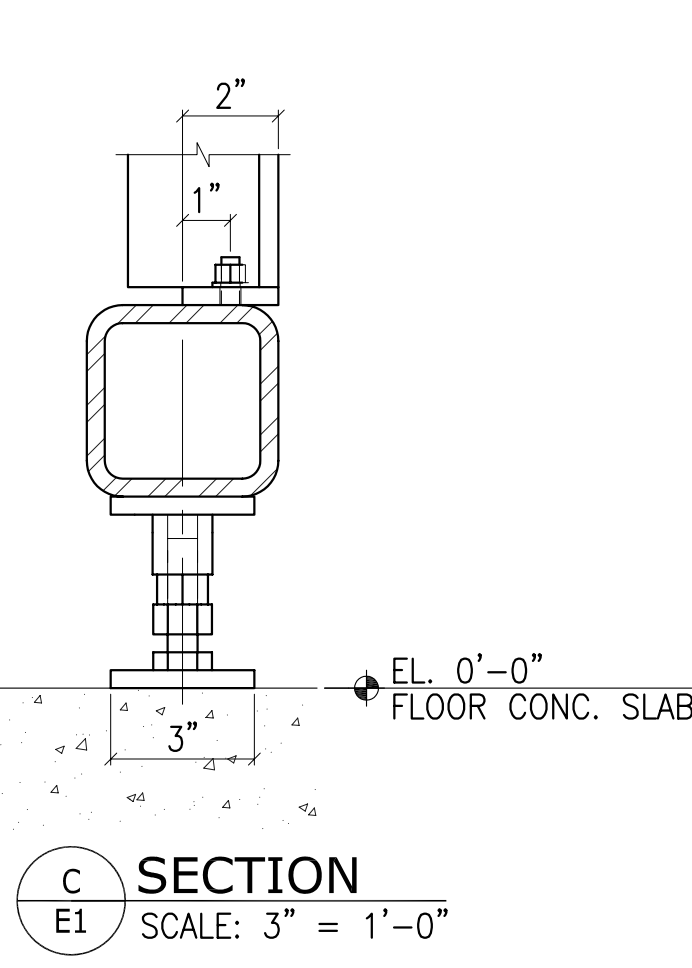
SCALE: 1" = 1'-0"
NOTES:
 1. REF. ELEVATION 0'-0": TOP OF FLOOR CONCRETE SLAB.
 2. TOP OF STEEL: 0'-8" ABOVE REF. ELEVATION U.N.O. MARKED THUS: [xxx] ABOVE REF. ELEVATION



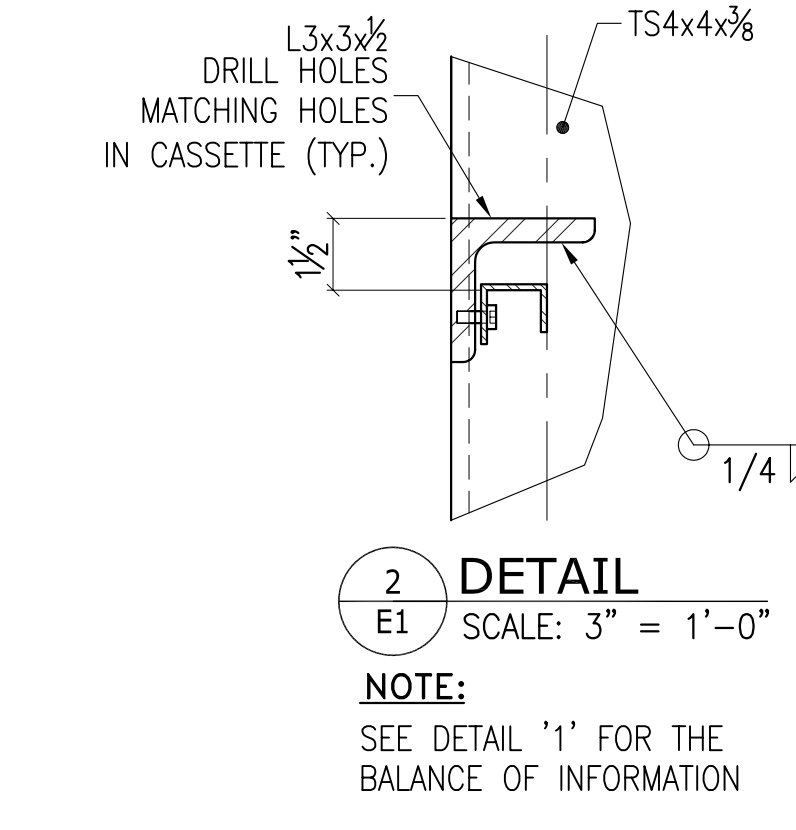
A SECTION. TYP. BASE PLATE DETAIL
 SCALE: 3" = 1'-0"



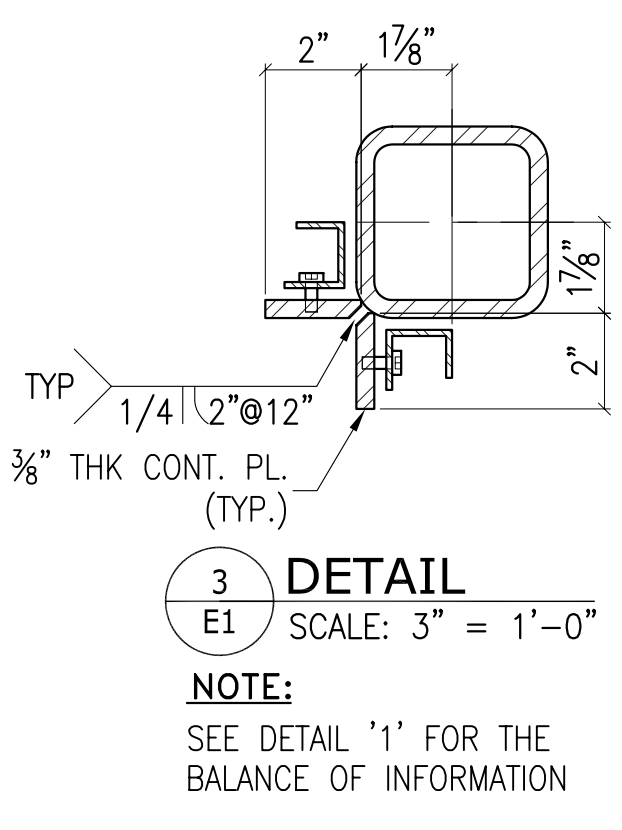
B SECTION. TYP. WT3 BASE DET.
 SCALE: 3" = 1'-0"



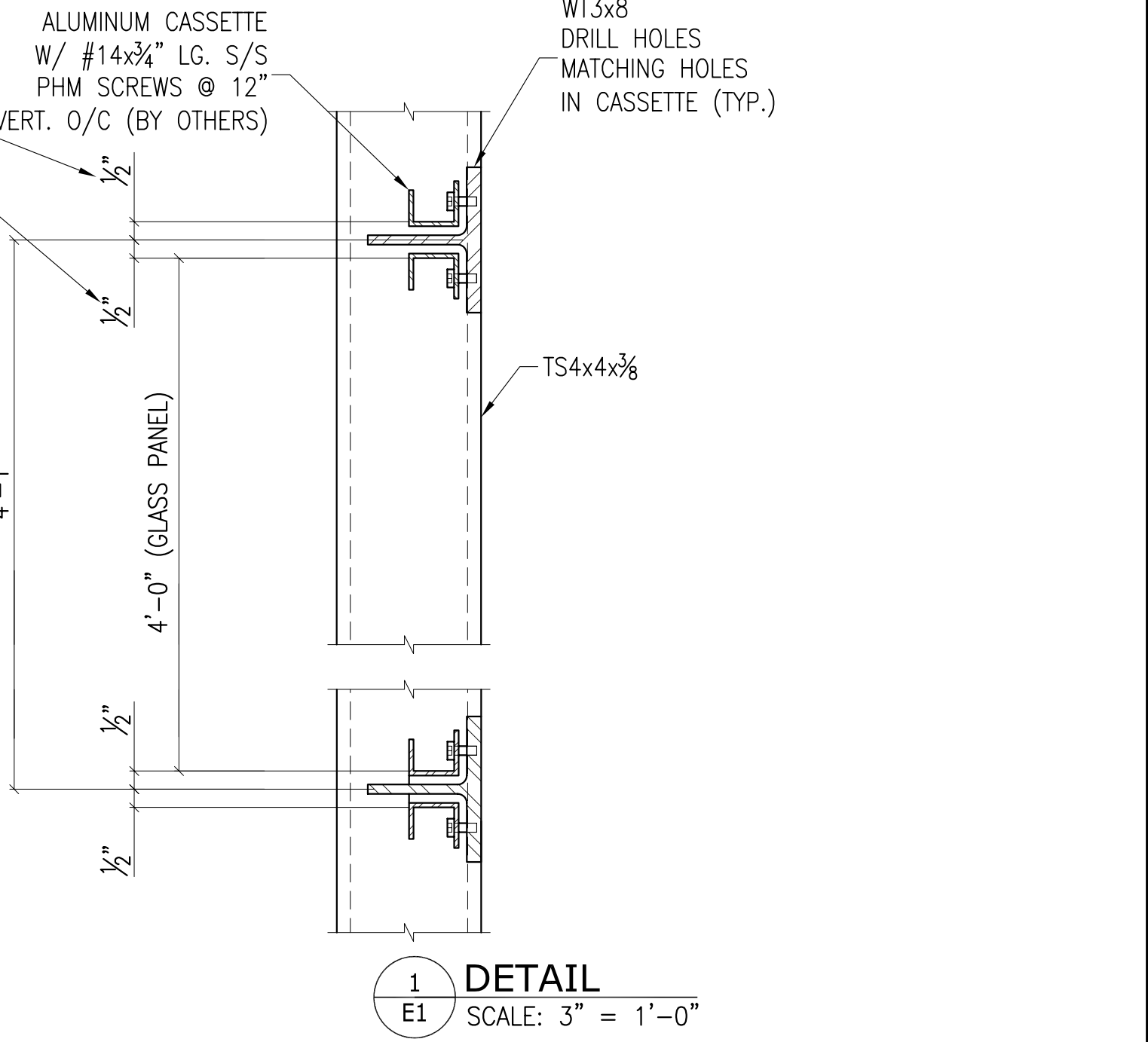
C SECTION
 SCALE: 3" = 1'-0"



2 DETAIL
 E1 SCALE: 3" = 1'-0"
NOTE:
 SEE DETAIL '1' FOR THE BALANCE OF INFORMATION



3 DETAIL
 E1 SCALE: 3" = 1'-0"
NOTE:
 SEE DETAIL '1' FOR THE BALANCE OF INFORMATION



1 DETAIL
 E1 SCALE: 3" = 1'-0"

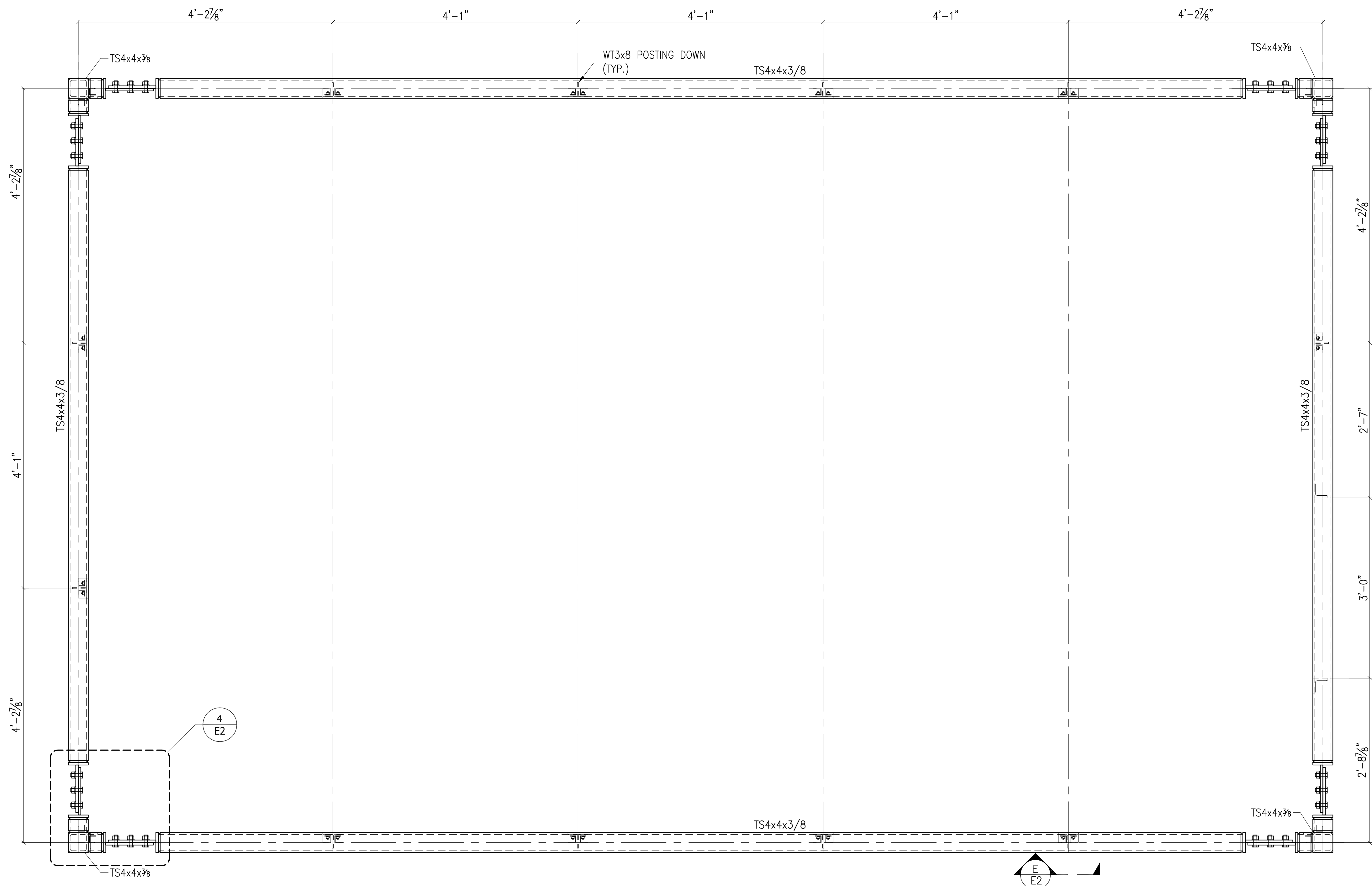
NOTE:
 BASE DETAIL NOT SHOWN FOR CLARITY

APPROVER:
 PLEASE VERIFY INFORMATION AND DIMENSIONS SHOWN ON THIS DRAWING

PRINTS			REVISIONS		
No.	FOR	DATE	No.	DATE	REMARK
1S.	3P.	03.27.03			
	APPL.		04.29.03		AS PER NOTES

MATERIAL: A992-50. TUBES: ASTM A-500, GRADE B
 FITTINGS: A36
 BOLTS: 5/8" A307 U.O.N.
 HOLES: 11/16" U.O.N.
 WELDS: E70XX ELECTRODES
 FINISH: AS PER SPECIFICATION

ELIOU & SCOPELITIS STEEL FABRICATION
 319 FROST ST., BROOKLYN, NY 11222
 TITLE: TICKETING BOOTH FLOOR FRAMING PLAN
 NEW YORK, NY
 PROJECT: TICKETING BOOTH STORY CORPS
 NEW YORK, NY
 ARCHITECT: MESH ARCHITECTURES
 ENGINEER: FRONT INC IN ASSOCIATION WITH
 GOLDREICH ENGINEERING, P.C.
 G.C. :
 DWN BY: A.B. DATE: 05/05 JOB No. DRAWING: E1

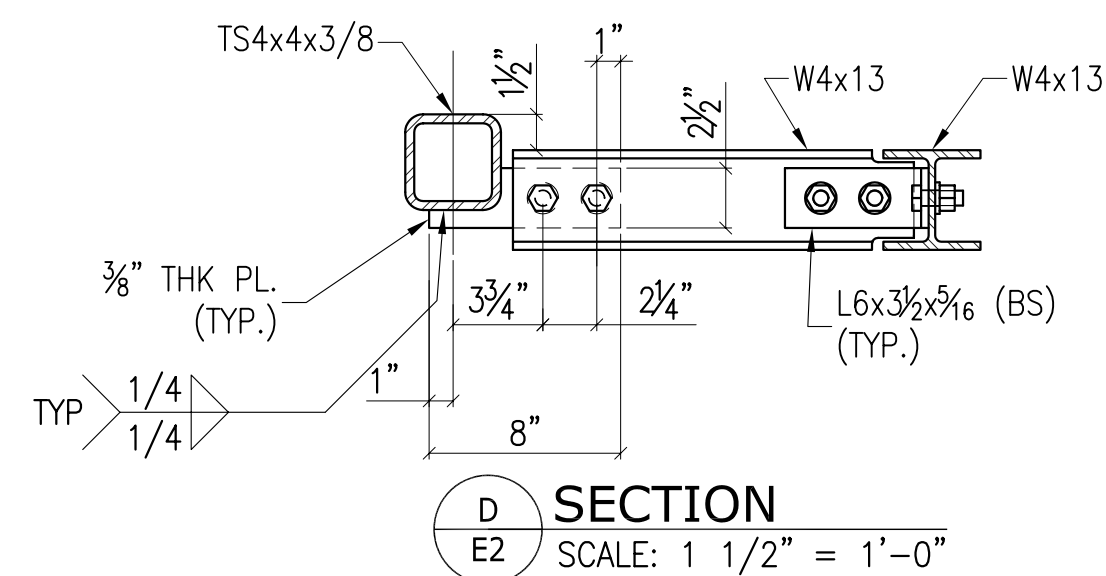


TICKETING BOOTH ROOF FRAMING PLAN

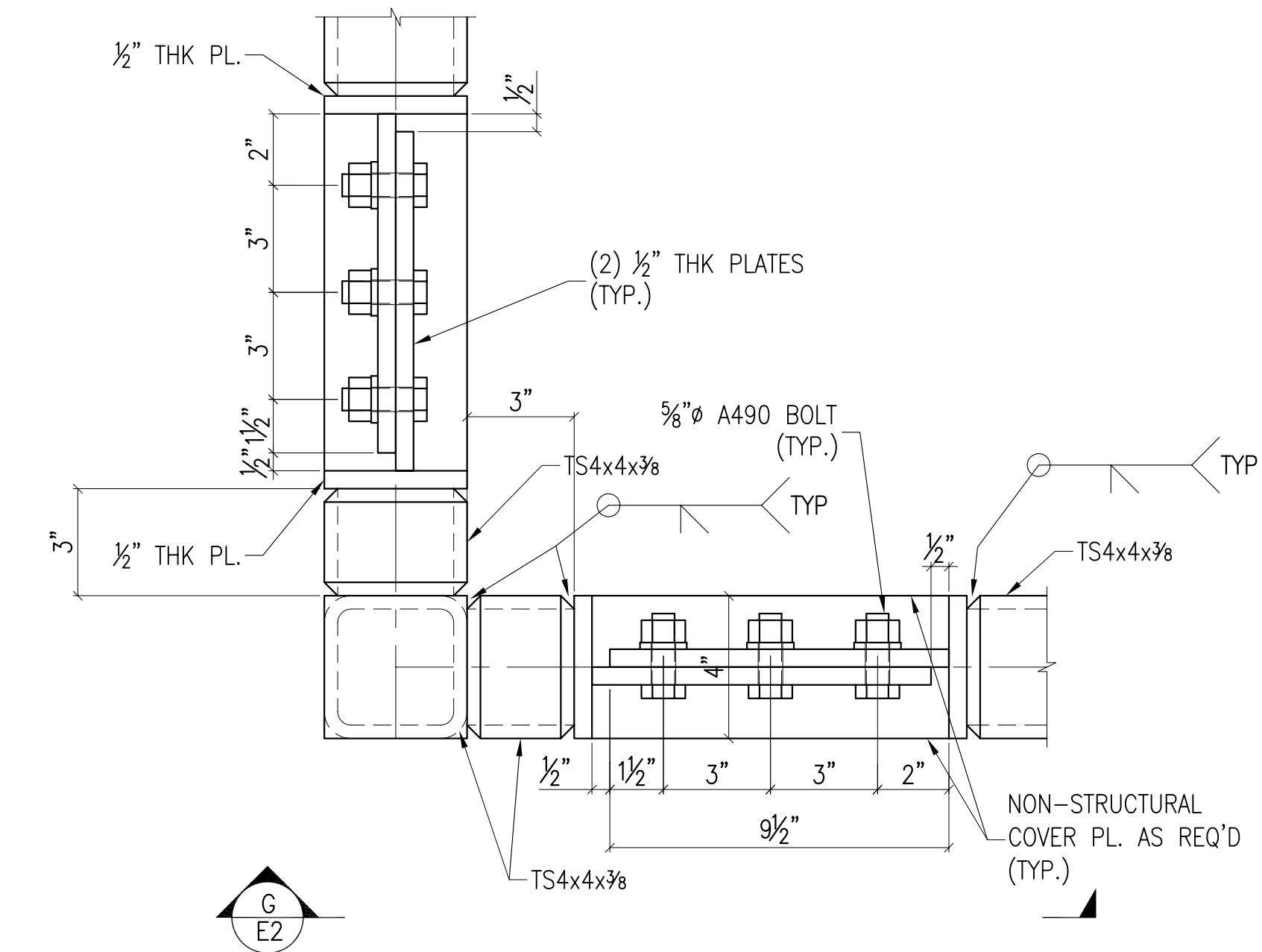
SCALE: 1" = 1'-0"

NOTES:

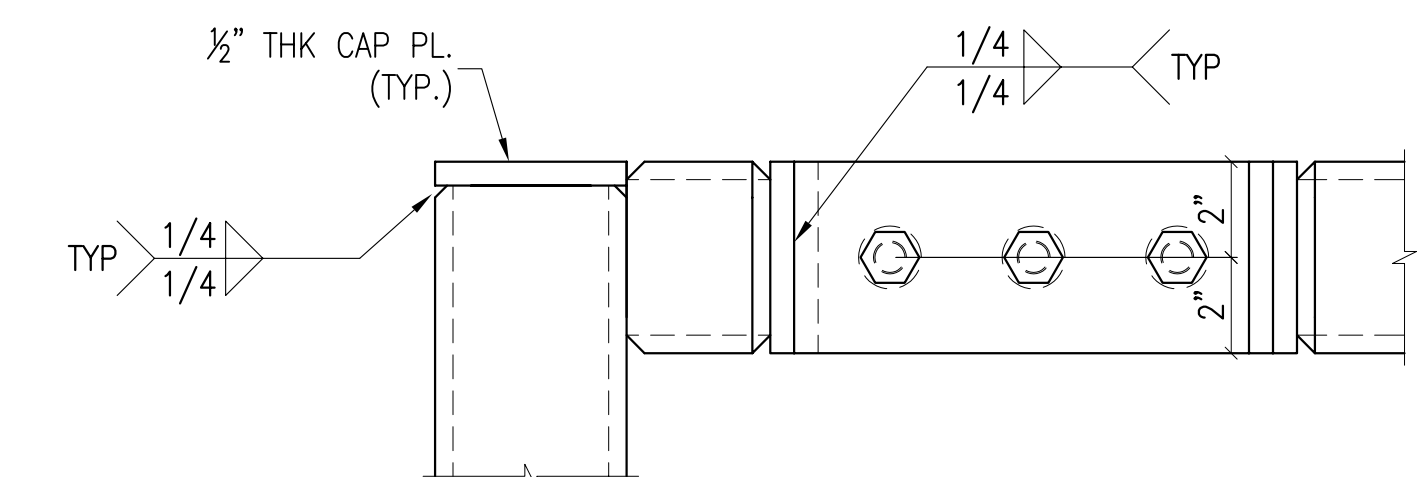
1. REF. ELEVATION 0'-0": TOP OF FLOOR CONCRETE SLAB.
2. TOP OF STEEL: 10'-1" ABOVE REF. ELEVATION.



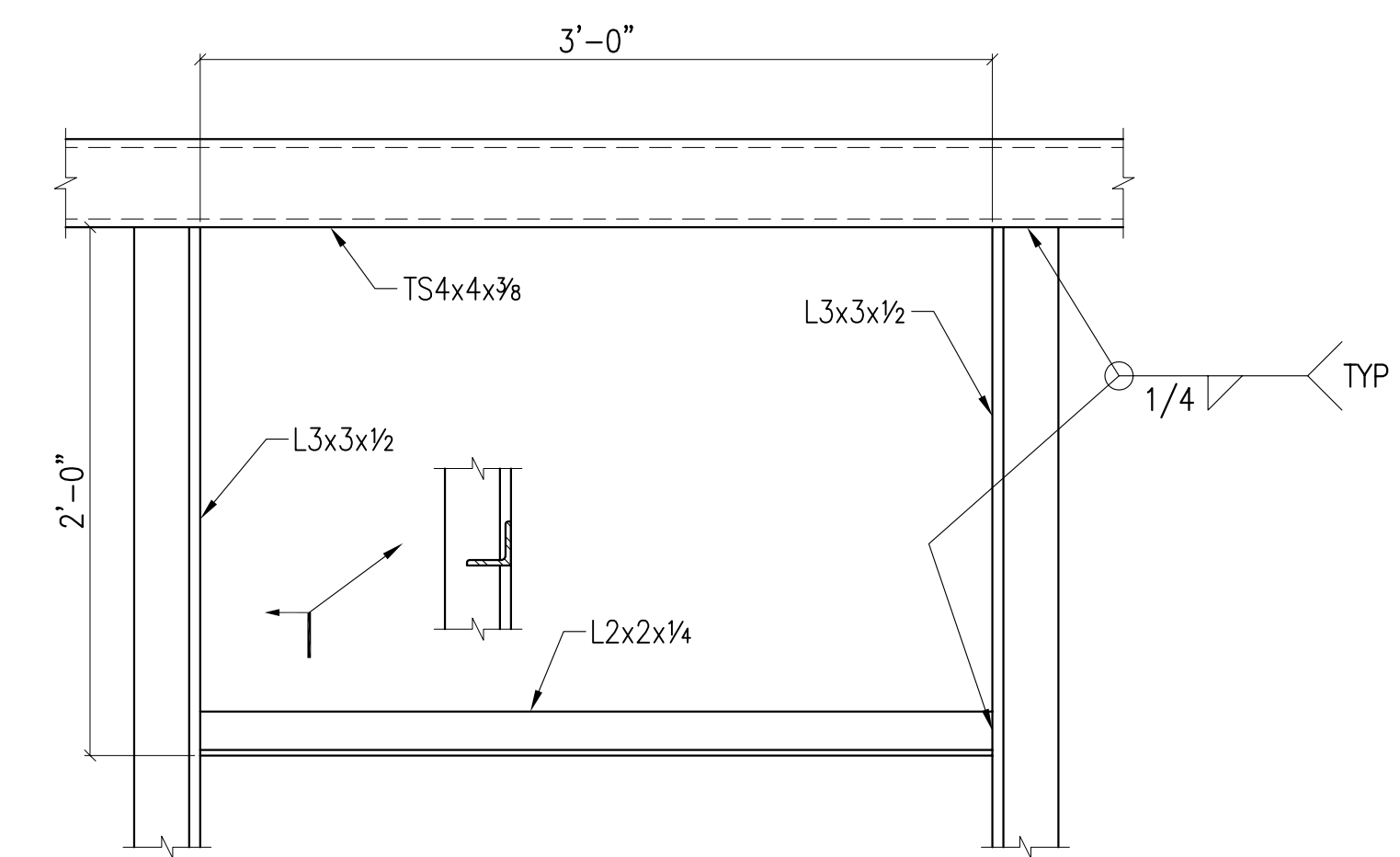
D SECTION
SCALE: 1 1/2" = 1'-0"



4 DETAIL
SCALE: 3" = 1'-0"



G SECTION
SCALE: 3" = 1'-0"



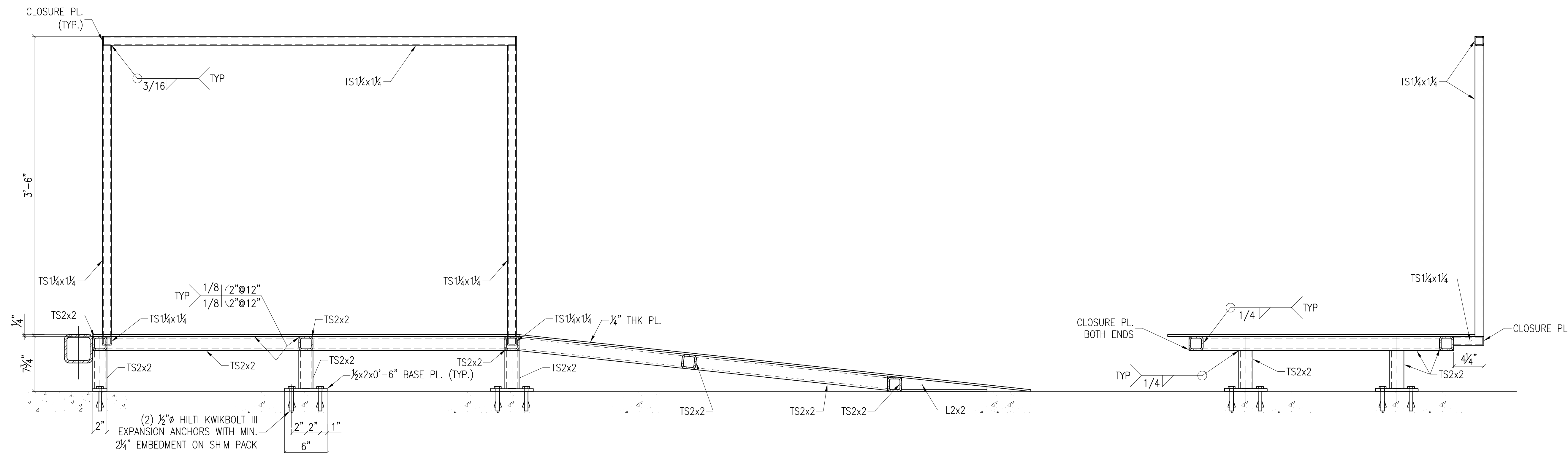
H SECTION
SCALE: 1 1/2" = 1'-0"

APPROVER:
PLEASE VERIFY INFORMATION AND DIMENSIONS
SHOWN ON THIS DRAWING

PRINTS			REVISIONS		
No.	FOR	DATE	No.	DATE	REMARK
1S. 3P.	APPL.	03.27.03		04.29.03	AS PER NOTES

MATERIAL: A992-50. TUBES: ASTM A-500, GRADE B
 FITTINGS: A36
 BOLTS: 5/8" A307 U.O.N.
 HOLES: 11/16" U.O.N.
 WELDS: E70XX ELECTRODES
 FINISH: AS PER SPECIFICATION

ELIOU & SCOPELITIS STEEL FABRICATION
 319 FROST ST., BROOKLYN, NY 11222
 TITLE: TICKETING BOOTH ROOF FRAMING PLAN
 NEW YORK, NY
 PROJECT: TICKETING BOOTH STORY CORPS
 NEW YORK, NY
 ARCHITECT: MESH ARCHITECTURES
 ENGINEER: FRONT INC IN ASSOCIATION WITH
 GOLDBREICH ENGINEERING, P.C.
 G.C. :
 DWN BY: A.B. DATE: 05/05 JOB No. DRAWING: E2



K SECTION
SCALE: 1 1/2" = 1'-0"

L SECTION
SCALE: 1 1/2" = 1'-0"

APPROVER:
PLEASE VERIFY INFORMATION AND DIMENSIONS
SHOWN ON THIS DRAWING

REFERENCE DWG'S: T-01 THRU T-08; A8, A9 & A10

PRINTS			REVISIONS		
No.	FOR	DATE	No.	DATE	REMARK
1S.	3P.	APPL. 03.27.03		04.29.03	AS PER NOTES

MATERIAL: A992-50. TUBES: ASTM A-500, GRADE B
FITTINGS: A36
BOLTS: 5/8" A307 U.O.N.
HOLES: 11/16" U.O.N.
WELDS: E70XX ELECTRODES
FINISH: AS PER SPECIFICATION

ELIOU & SCOPELITIS STEEL FABRICATION
319 FROST ST., BROOKLYN, NY 11222

TITLE: TICKETING BOOTH ENTRANCE RAMP SECTIONS
NEW YORK, NY

PROJECT: TICKETING BOOTH STORY CORPS
NEW YORK, NY

ARCHITECT: MESH ARCHITECTURES

ENGINEER: FRONT INC IN ASSOCIATION WITH
GOLDREICH ENGINEERING, P.C.

G.C. :
DWN BY: A.B. DATE: 05/05 JOB No. DRAWING: E3