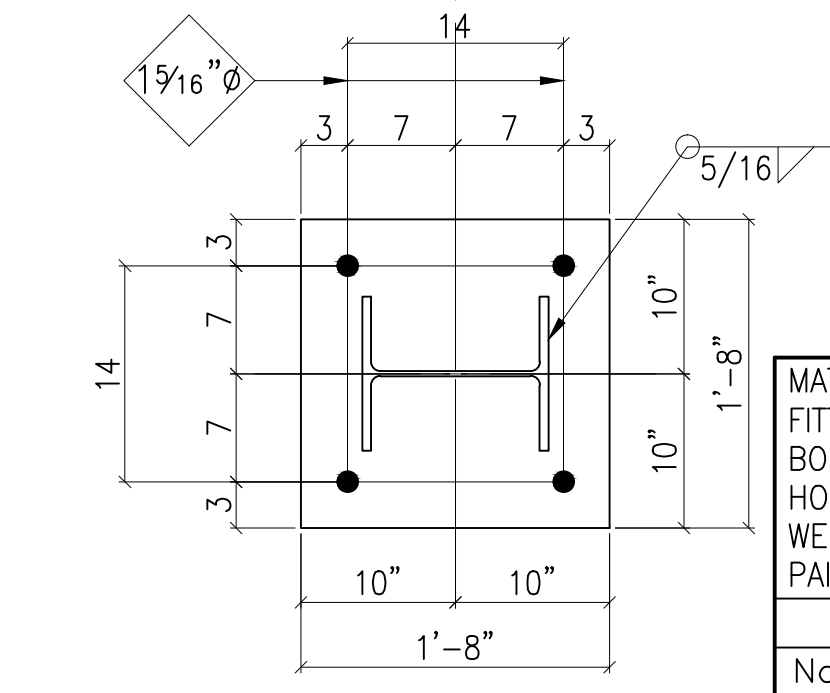
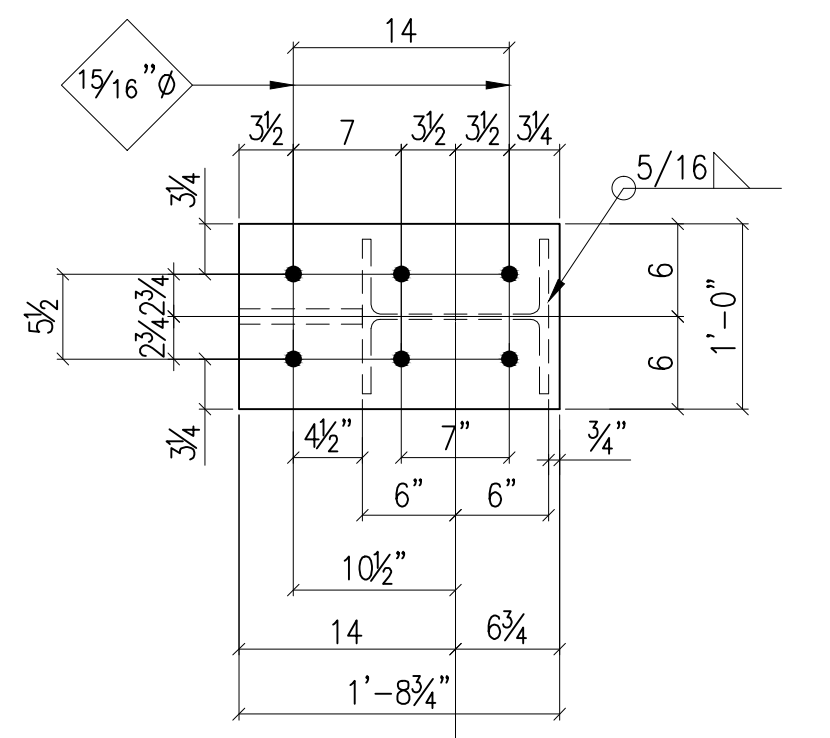
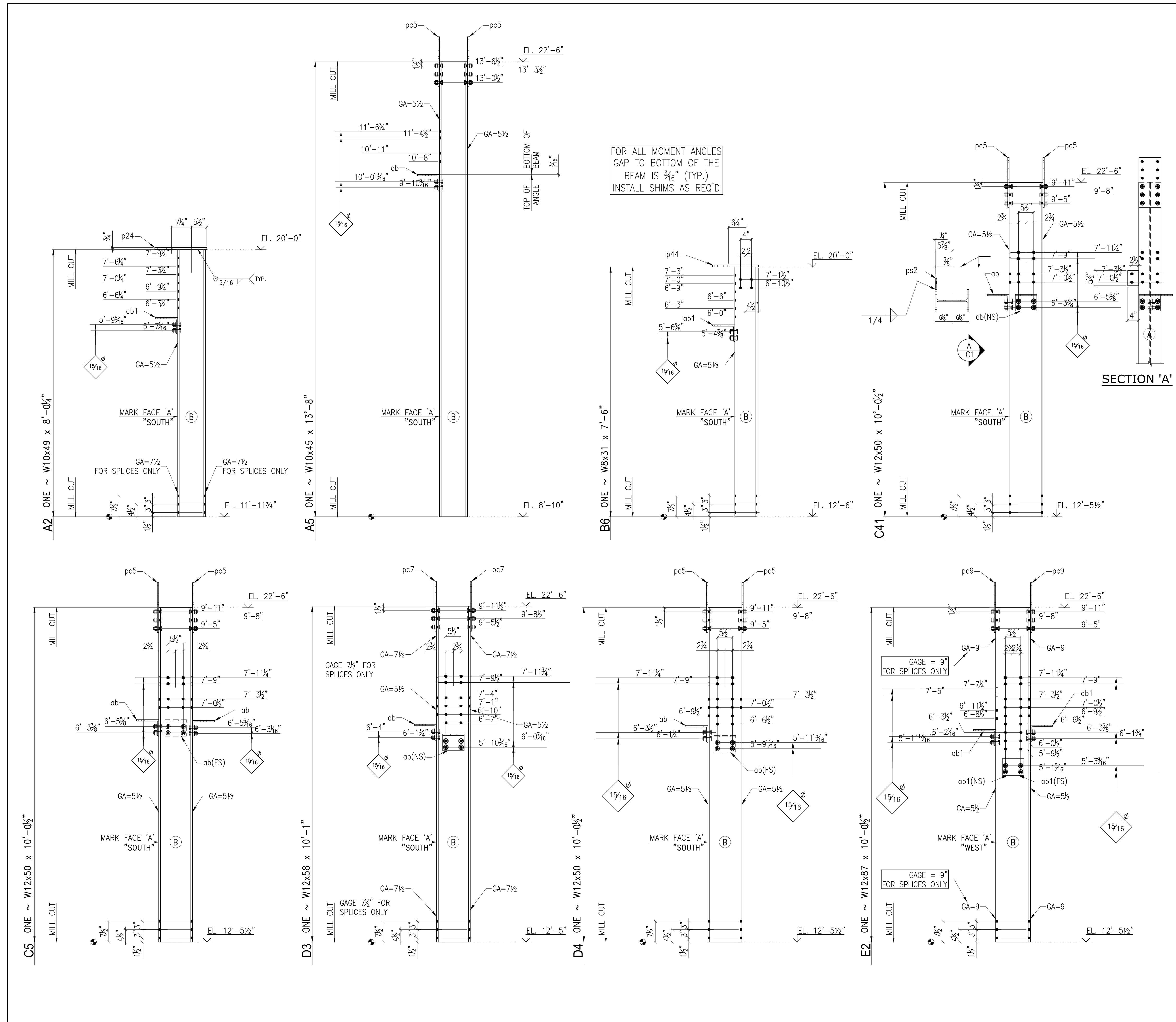


QTY	Pc.Mk	Minor Mk	SHAPE	LENGTH	REMARKS	STEEL
ONE	F3		W10x88	13' 15/8"	M2E	A36
1		bp3	PL 2 1/2x22	1' 10"		A36
2		pc2	PL 1/2x10	1' 6 1/2"		A36
2		pm3	PL 1x8	1' 1"		A36
2		pw3	PL 1x8 3/4	1' 1"		A36
2		pw4	PL 1x8 3/4	1' 1"		A36
12			3/4" A325 SC	0' 2 3/4"	1 HD. WASH.	
ONE	F6		W10x88	16' 0 9/16"	M2E	A36
1		bp3	PL 2 1/2x22	1' 10"		A36
2		pc2	PL 1/2x10	1' 6 1/2"		A36
2		pm1	PL 1x6	1' 1"		A36
2		pw4	PL 1x8 3/4	1' 1"		A36
2		pw5	PL 1x8 3/4	1' 1"		A36
12			3/4" A325 SC	0' 2 3/4"	1 HD. WASH.	
ONE	G8		W10x88	13' 11"	M2E	A36
1		bp3	PL 2 1/2x22	1' 10"		A36
2		pc2	PL 1/2x10	1' 6 1/2"		A36
2		pm1	PL 1x6	1' 1"		A36
2		pm4	PL 1x10	1' 1"		A36
2		pw3	PL 1x8 3/4	1' 1"		A36
2		pw5	PL 1x8 3/4	1' 1"		A36
12			3/4" A325 SC	0' 2 3/4"	1 HD. WASH.	
ONE	I2		W12x53	8' 6 5/8"	M2E	A36
1		bp5	PL 2x20	1' 8"		A36
1		pr	PL 1x8	0' 8"		A36
1		cp7	PL 1 1/2x12	1' 8 3/4"		A36
ONE	I4		W12x53	8' 7"	M2E	A36
1		bp5	PL 2x20	1' 8"		A36
1		pr	PL 1x8	0' 8"		A36
1		cp7	PL 1 1/2x12	1' 8 3/4"		A36
ONE	I5		W12x53	8' 5 1/16"	M2E	A36
1		bp5	PL 2x20	1' 8"		A36
1		pr	PL 1x8	0' 8"		A36
1		cp7	PL 1 1/2x12	1' 8 3/4"		A36
ONE	I7		W12x53	8' 5 3/4"	M2E	A36
1		bp5	PL 2x20	1' 8"		A36
1		pr	PL 1x8	0' 8"		A36
1		cp7	PL 1 1/2x12	1' 8 3/4"		A36



VERIFY IN THE FIELD
ALL DIMENSIONS AND ELEVATIONS
BEFORE FABRICATION!

MATERIAL: A572-50 (UNO) FITTINGS: A36 BOLTS: 3/4" A325 SC(UNO) HOLES: 13/16" (UNO) WELD: E70XX ELECTRODES PAINT: AS PER SPECIFICATION		MAURO IRON WORKS, INC. 4013 10th ST. BROOKLYN, NY 11219 Ph: (718)853-0935 Fax: (718)435-9399 PROJECT: 1267 57th STREET BROOKLYN, NY TITLE: COLUMN DETAILS - BASEMENT	
REVISIONS No. DATE REMARKS 1 Jul-05-07 REVISED AS NOTED		LOCATION: 1267 57th STREET BROOKLYN, NY ENGINEER: DAVID SILBERMAN, P.E. ARCH.: ERNEST KELLER ARCHITECT CONT.: STEEL DETAILER: NYacad, Inc. www.nyacad.com ph. (646)369-9006 DRAWN BY: A.B. DATE: Jul/05/07	



QTY	Pc.Mk	Minor Mk	SHAPE	LENGTH	REMARKS	STEEL
ONE	A2		W10x49	8' 0 1/4"	M2E	A36
1		ab1	L8x6x1/2	0' 7 3/4"		A36
1		p24	PL 3/4x12	1' 6 3/4"		A36
4			3/8" A490 X	0' 2 1/2"	1 HD. WASH.	
ONE	A5		W10x45	13' 8"	M2E	A36
1		ab	L8x6x1/2	0' 7 3/4"		A36
2		pc5	PL 1/2x8	1' 6"		A36
12			3/4" A325 SC	0' 2 1/2"	1 HD. WASH.	
4			3/8" A490 X	0' 2 1/2"	1 HD. WASH.	
ONE	B6		W8x31	7' 6"	M2E	A36
1		ab1	L8x6x1/2	0' 7 3/4"		A36
1		p44	PL 3/4x9	1' 4 1/2"		A36
4			3/8" A490 X	0' 2 1/2"	1 HD. WASH.	
ONE	C41		W12x50	10' 0 1/2"	M2E	A36
2		ab	L8x6x1/2	0' 7 3/4"		A36
2		pc5	PL 1/2x8	1' 6"		A36
12			3/4" A325 SC	0' 2 1/2"	1 HD. WASH.	
4			3/8" A490 X	0' 2 1/2"	1 HD. WASH.	
4			3/8" A490 X	0' 2 1/2"	1 HD. WASH.	
ONE	C5		W12x50	10' 0 1/2"	M2E	A36
3		ab	L8x6x1/2	0' 7 3/4"		A36
2		pc5	PL 1/2x8	1' 6"		A36
12			3/4" A325 SC	0' 2 1/2"	1 HD. WASH.	
4			3/8" A490 X	0' 2 1/2"	1 HD. WASH.	
4			3/8" A490 X	0' 2 1/2"	1 HD. WASH.	
ONE	D3		W12x58	10' 1"	M2E	A36
2		ab	L8x6x1/2	0' 7 3/4"		A36
2		pc7	PL 1/2x10	1' 6"		A36
12			3/4" A325 SC	0' 2 1/2"	1 HD. WASH.	
4			3/8" A490 X	0' 2 1/2"	1 HD. WASH.	
4			3/8" A490 X	0' 2 1/2"	1 HD. WASH.	
ONE	D4		W12x50	10' 0 1/2"	M2E	A36
2		ab	L8x6x1/2	0' 7 3/4"		A36
2		pc5	PL 1/2x8	1' 6"		A36
12			3/4" A325 SC	0' 2 1/2"	1 HD. WASH.	
4			3/8" A490 X	0' 2 1/2"	1 HD. WASH.	
4			3/8" A490 X	0' 2 1/2"	1 HD. WASH.	
ONE	E1		W8x31	7' 4"	M2E	A36
1		ab1	L8x6x1/2	0' 7 3/4"		A36
1		p33	PL 3/4x8	0' 8"		A36
4			3/8" A490 X	0' 2 1/2"	1 HD. WASH.	
ONE	E2		W12x87	10' 0 1/2"	M2E	A36
4		ab1	L8x6x1/2	0' 7 3/4"		A36
2		pc9	PL 3/4x12	1' 6"		A36
12			3/4" A325 SC	0' 2 1/2"	1 HD. WASH.	
4			3/8" A490 X	0' 3"	1 HD. WASH.	
8			3/8" A490 X	0' 2 3/4"	1 HD. WASH.	

E1 ONE ~ W8x31 x 7'-4"

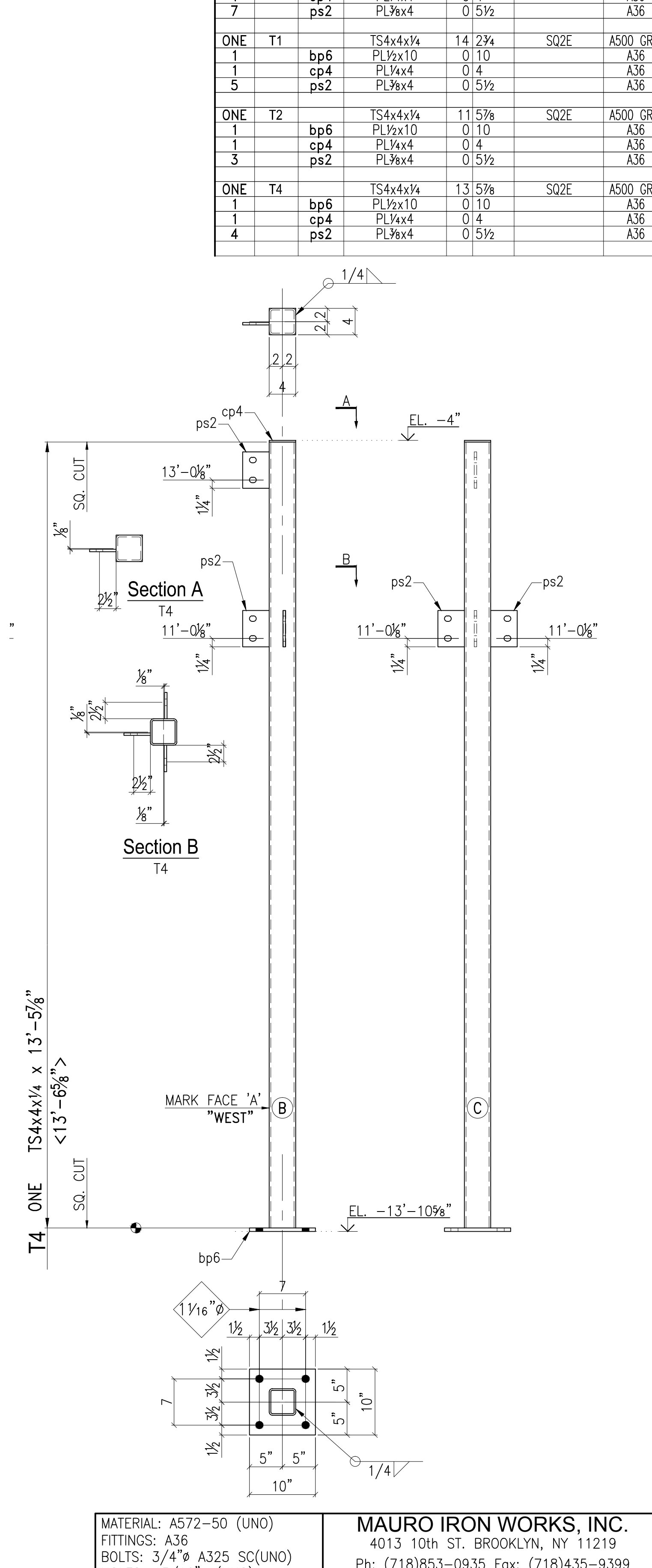
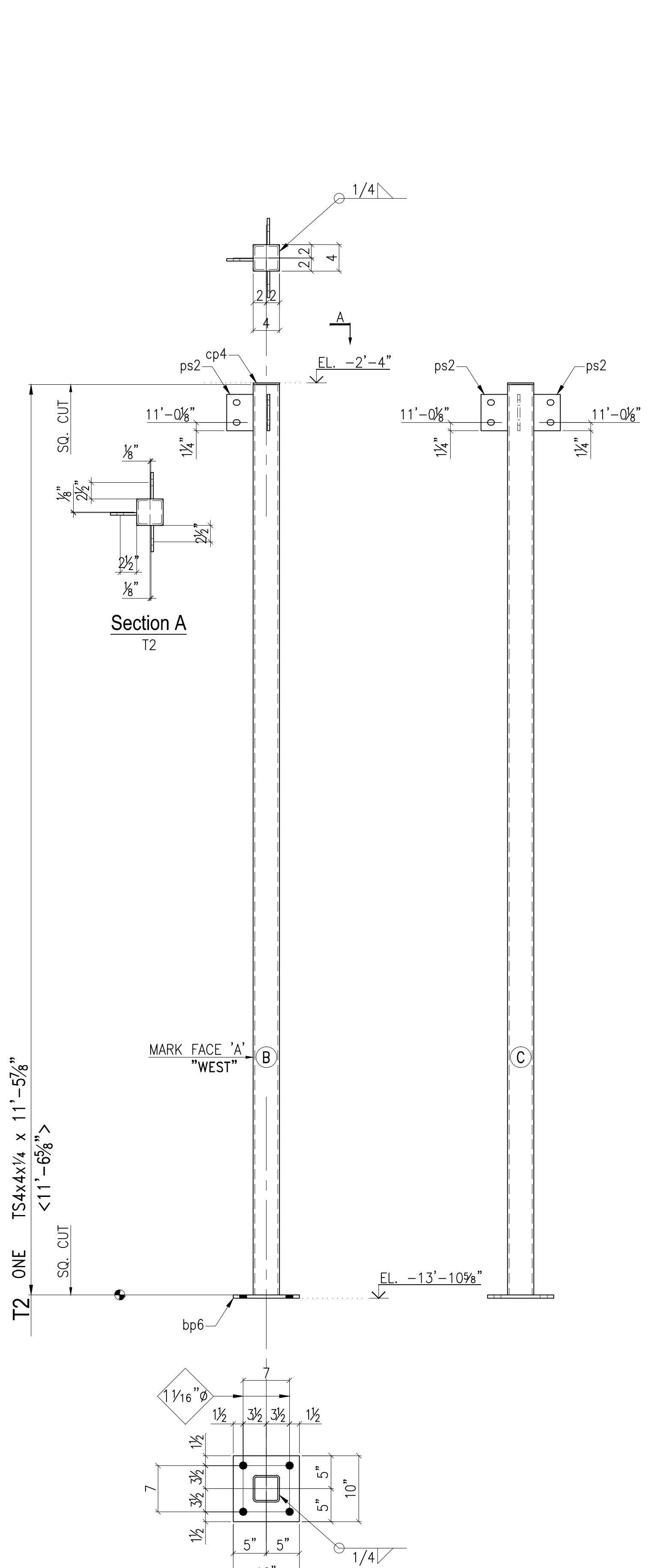
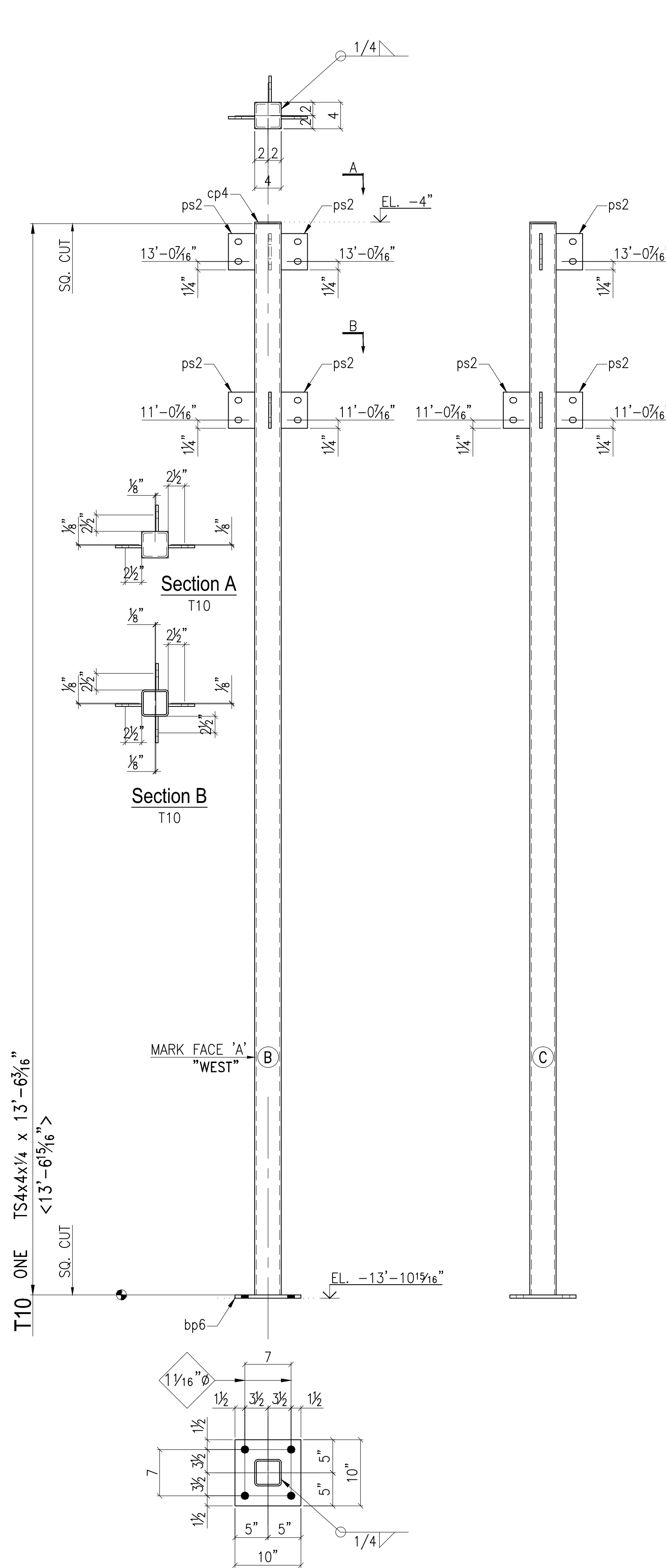
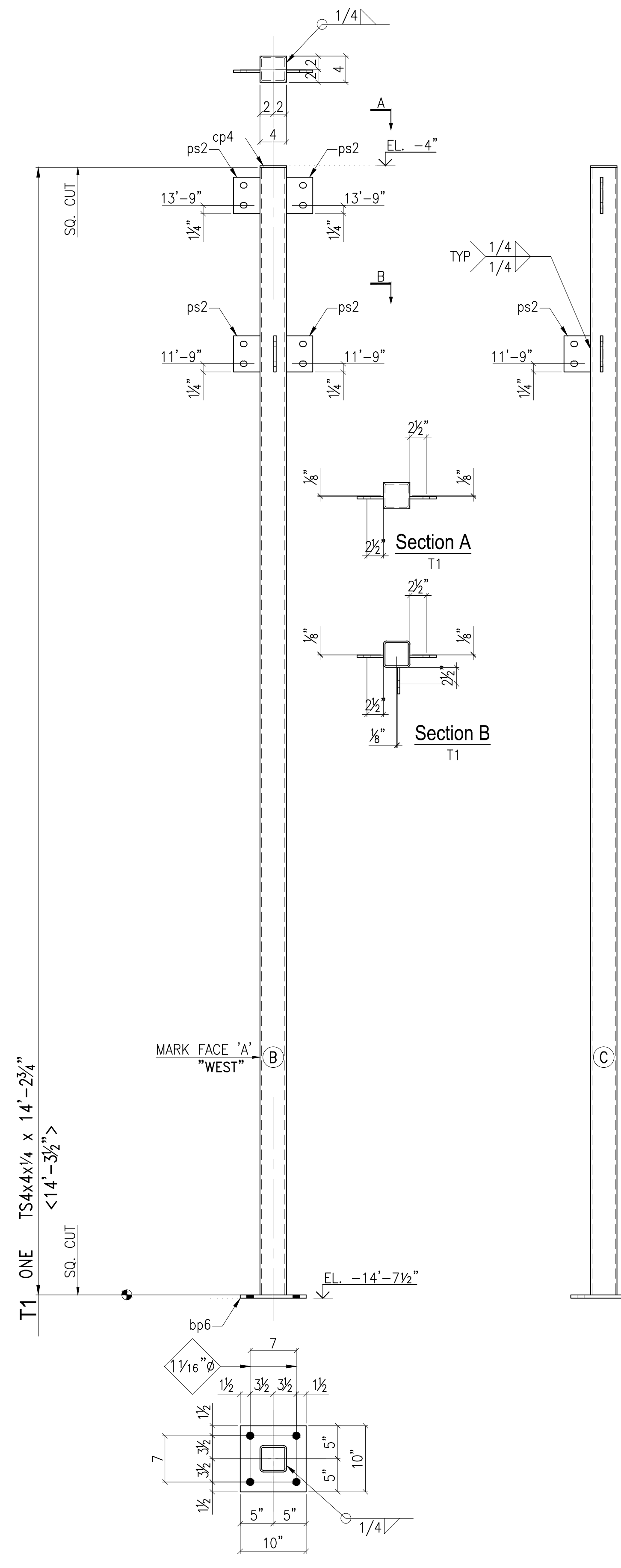
SECTION 'A'

MATERIAL: A572-50 (UNO)
 FITTINGS: A36
 BOLTS: 3/4" A325 SC(UNO)
 HOLES: 13/16" (UNO)
 WELD: E70XX ELECTRODES
 PAINT: AS PER SPECIFICATION

MAURO IRON WORKS, INC.
 4013 10th ST. BROOKLYN, NY 11219
 Ph: (718)853-0935 Fax: (718)435-9399

PROJECT: 1267 57th STREET BROOKLYN, NY
 TITLE: 2ND FLOOR COLUMNS
 LOCATION: 1267 57th STREET BROOKLYN, NY

ENGINEER: DAVID SILBERMAN, P.E.
 ARCH.: ERNEST KELLER ARCHITECT
 CONT.:
 STEEL DETAILER: NYacad, Inc.
 www.nyacad.com ph. (646)369-9006
 DRAWN BY: A.B. DATE: Sep/12/07

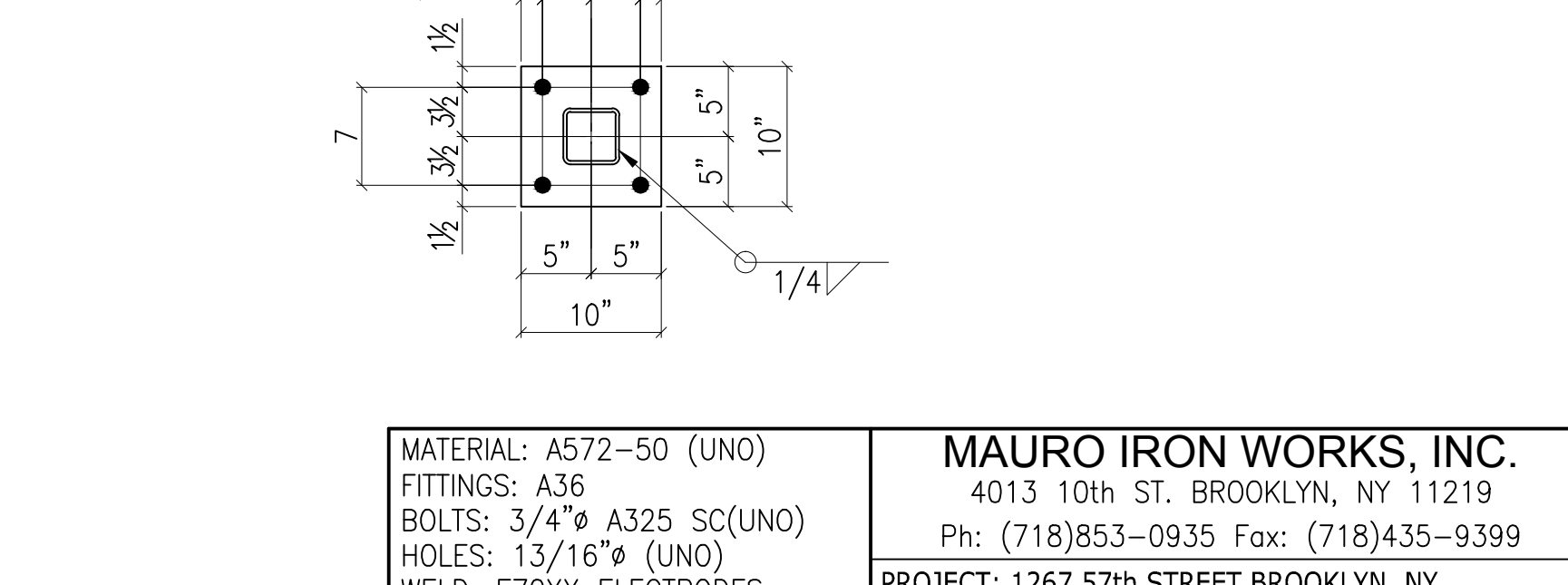
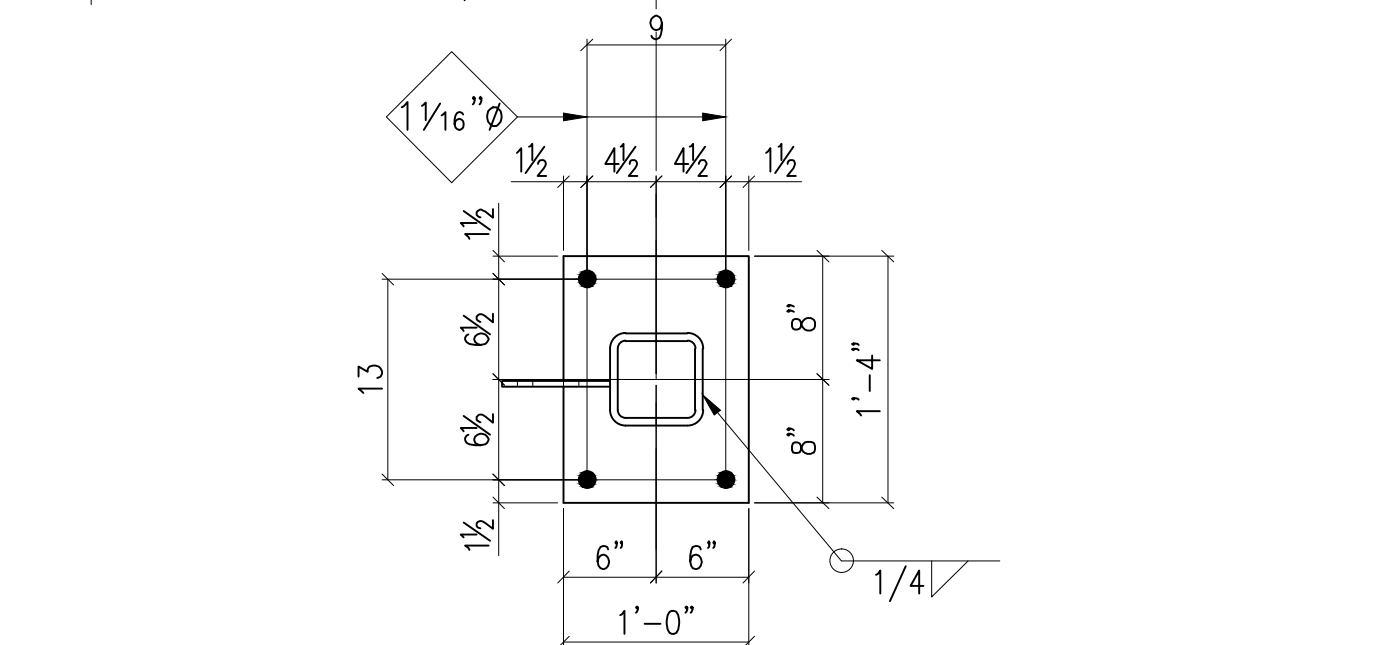
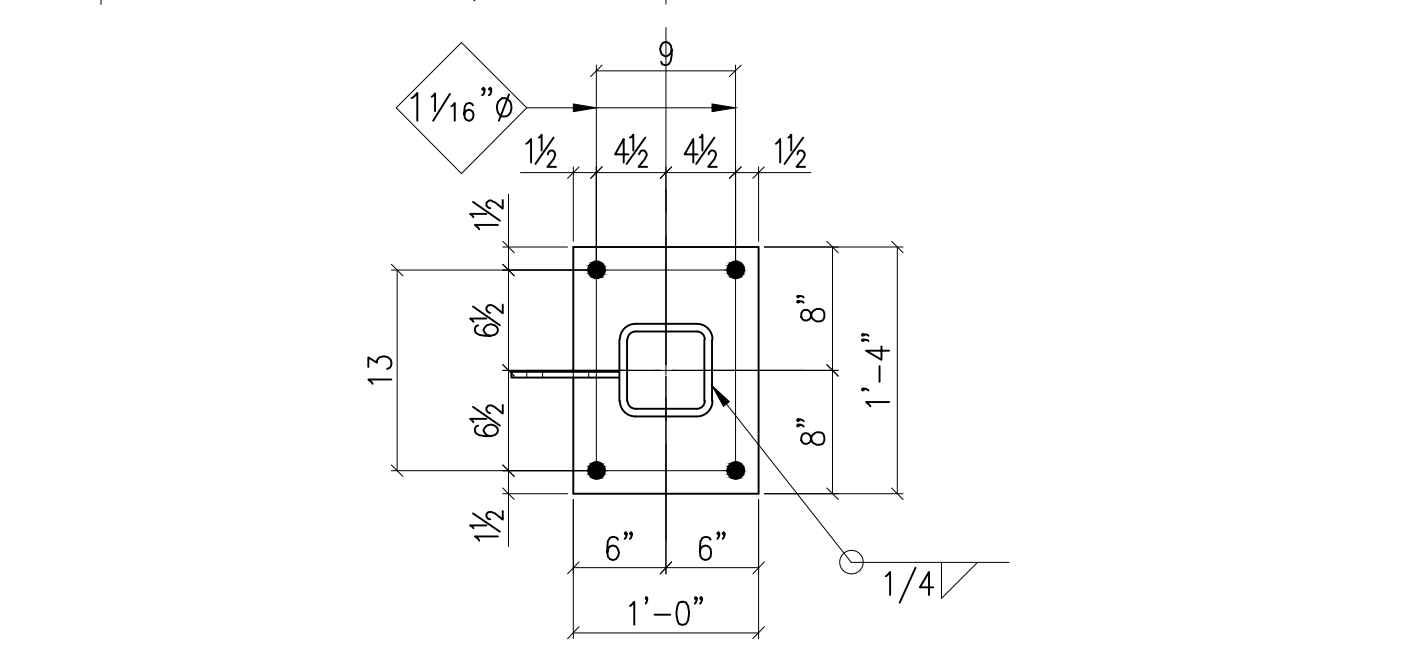
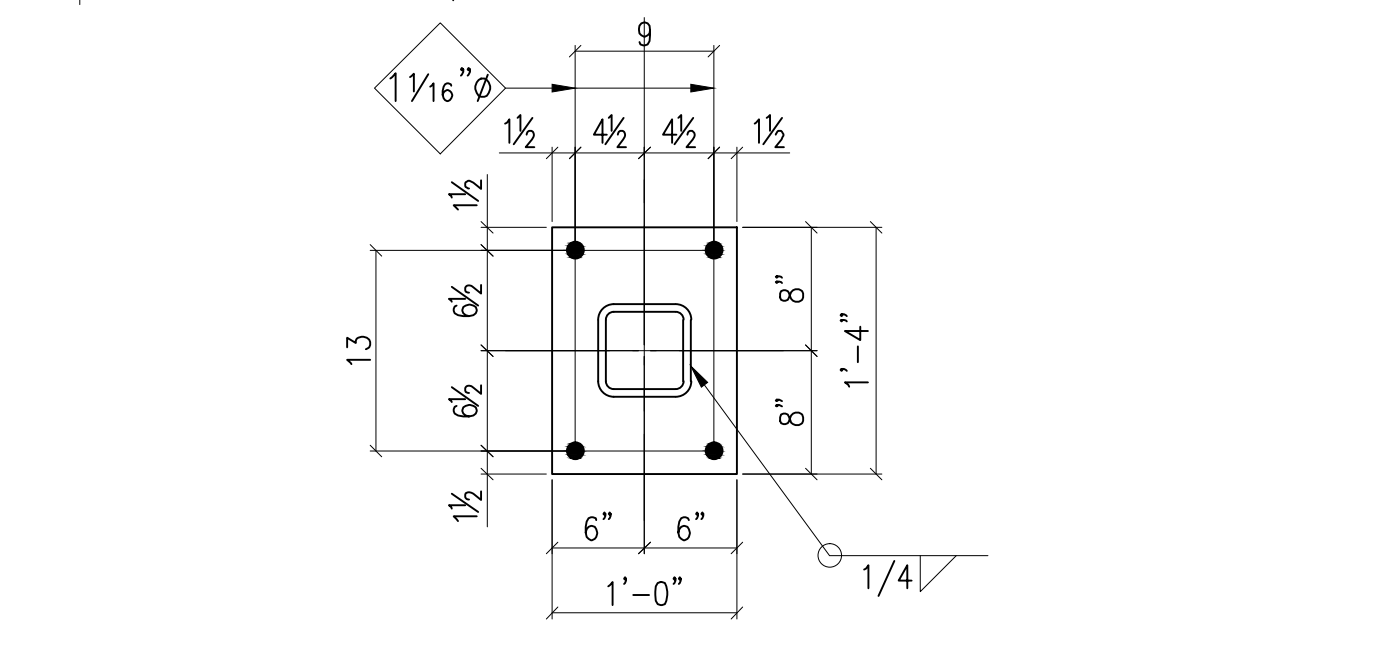
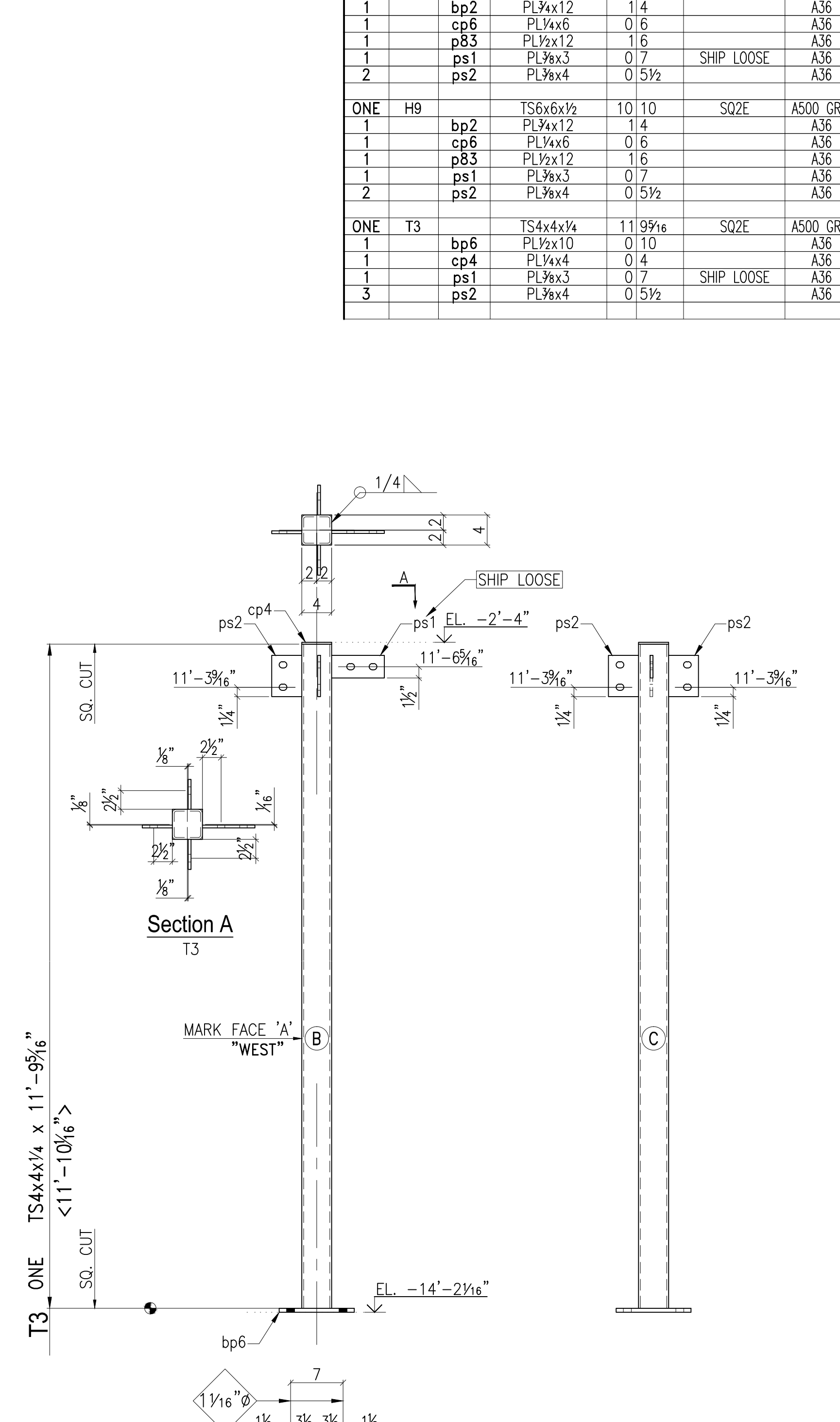
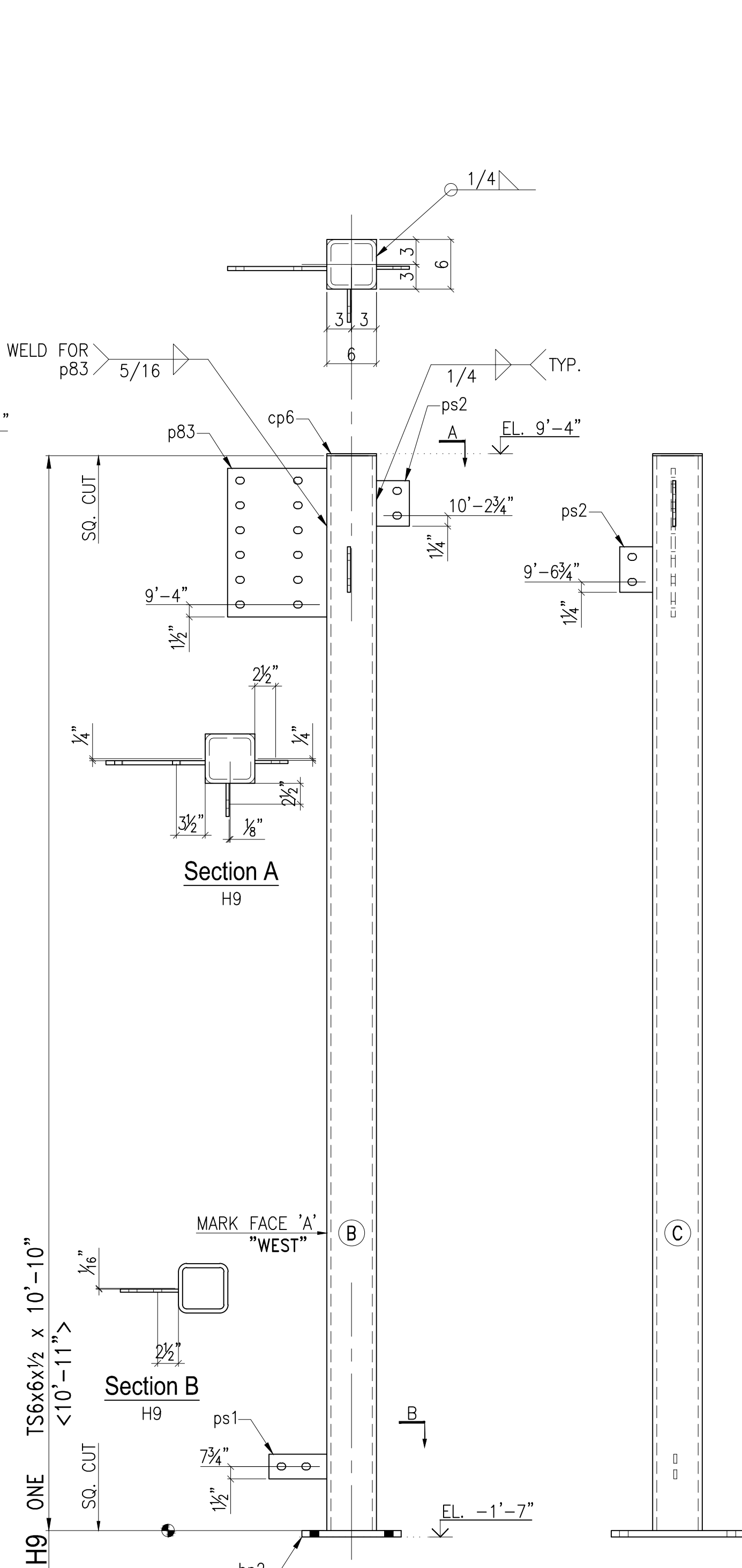
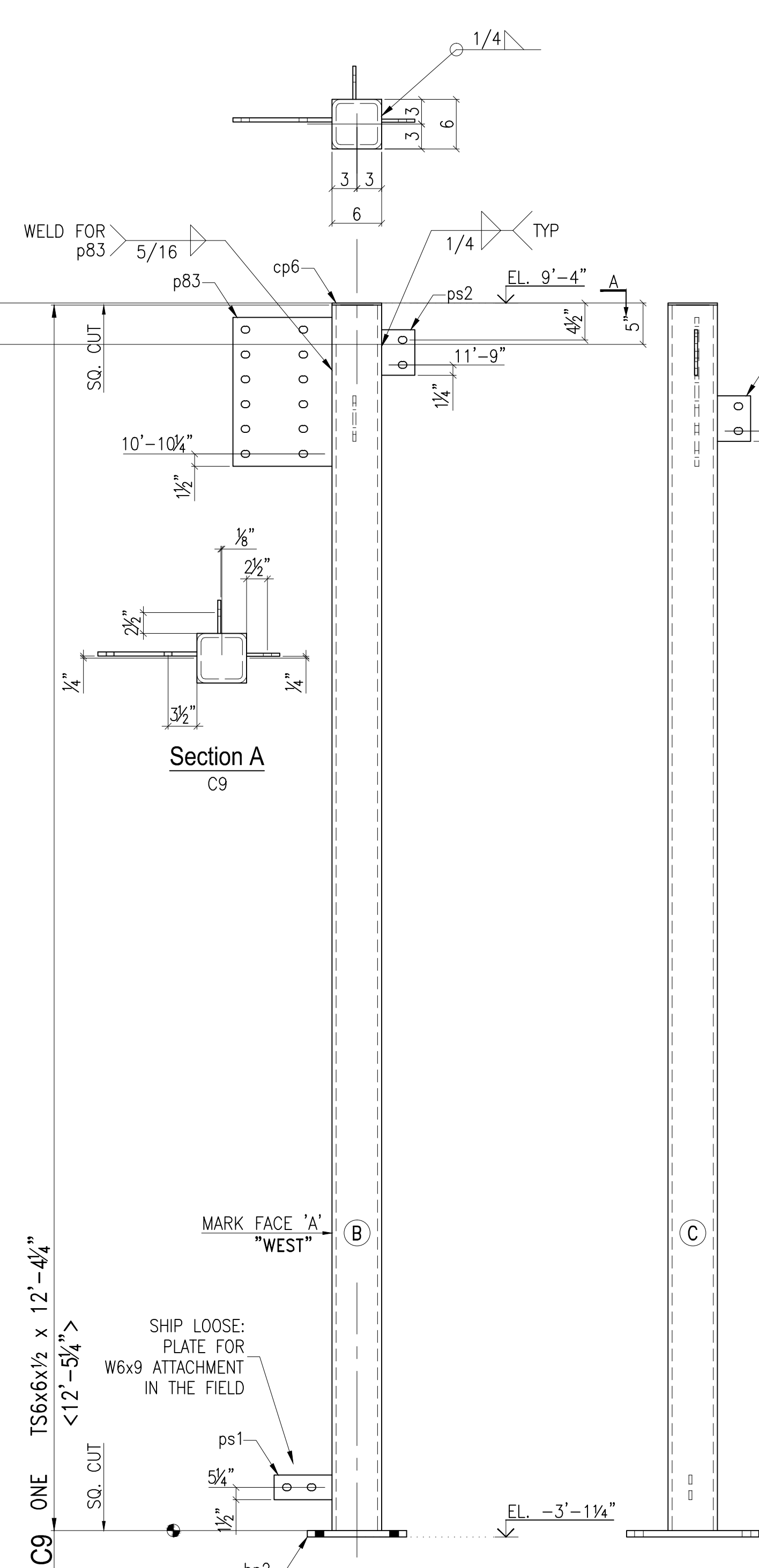
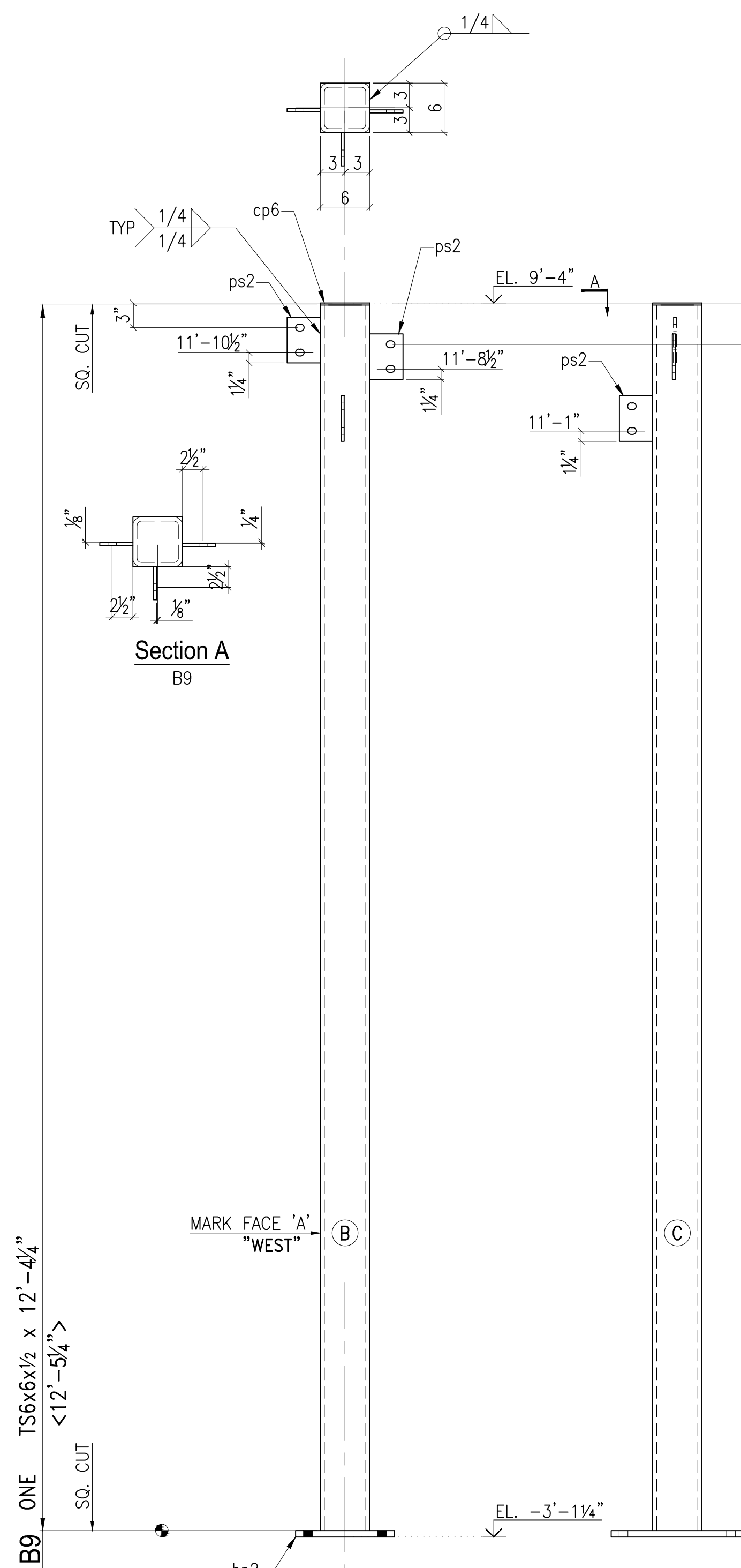


QTY	Pc.Mk	Minor Mk	SHAPE	LENGTH	REMARKS	STEEL
ONE	T10		TS4x4x1/4	13' 6 5/16"	SQ2E	A500 GR.B
1		bp6	PL1/2x10	0' 10"		A36
1		cp4	PL1/4x4	0' 4"		A36
7		ps2	PL3/8x4	0' 5 1/2"		A36
ONE	T1		TS4x4x1/4	14' 2 3/4"	SQ2E	A500 GR.B
1		bp6	PL1/2x10	0' 10"		A36
1		cp4	PL1/4x4	0' 4"		A36
5		ps2	PL3/8x4	0' 5 1/2"		A36
ONE	T2		TS4x4x1/4	11' 5 7/8"	SQ2E	A500 GR.B
1		bp6	PL1/2x10	0' 10"		A36
1		cp4	PL1/4x4	0' 4"		A36
3		ps2	PL3/8x4	0' 5 1/2"		A36
ONE	T4		TS4x4x1/4	13' 5 7/8"	SQ2E	A500 GR.B
1		bp6	PL1/2x10	0' 10"		A36
1		cp4	PL1/4x4	0' 4"		A36
4		ps2	PL3/8x4	0' 5 1/2"		A36

VERIFY IN THE FIELD
ALL DIMENSIONS AND ELEVATIONS
BEFORE FABRICATION!

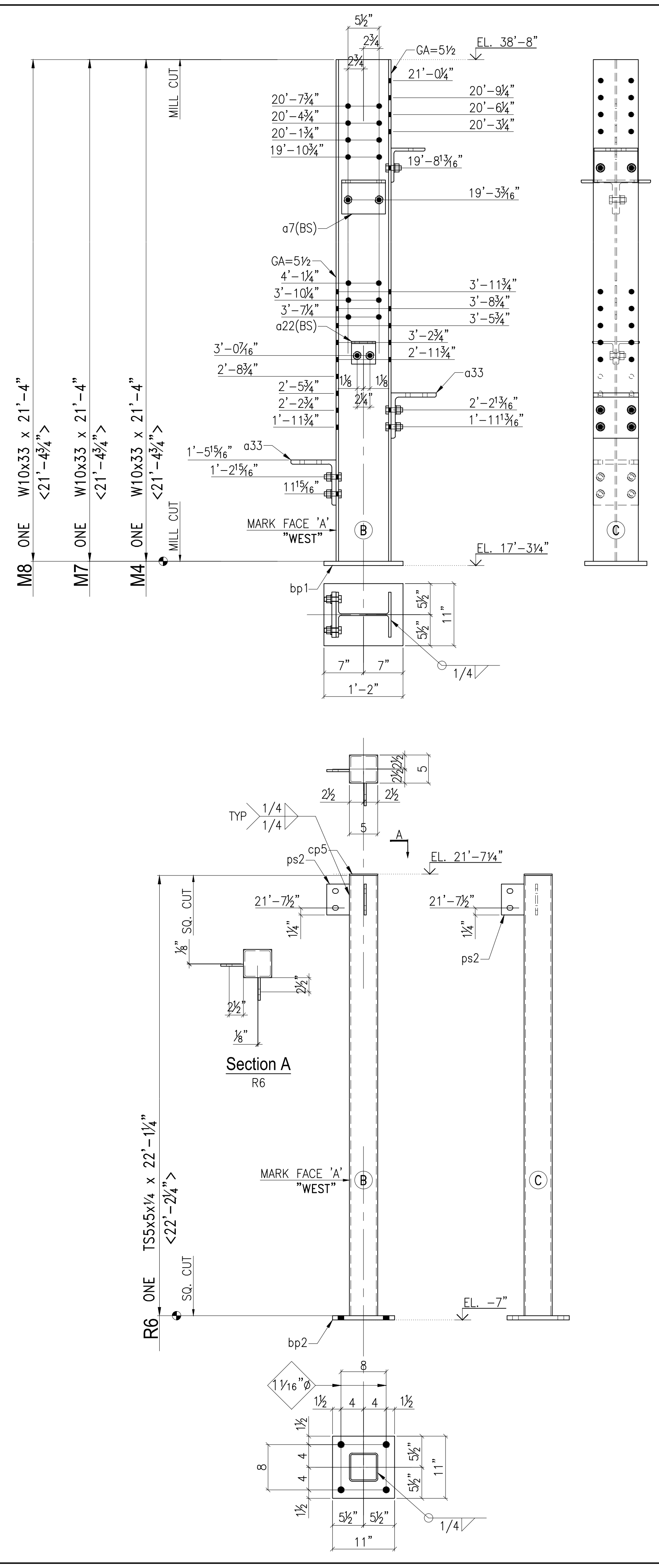
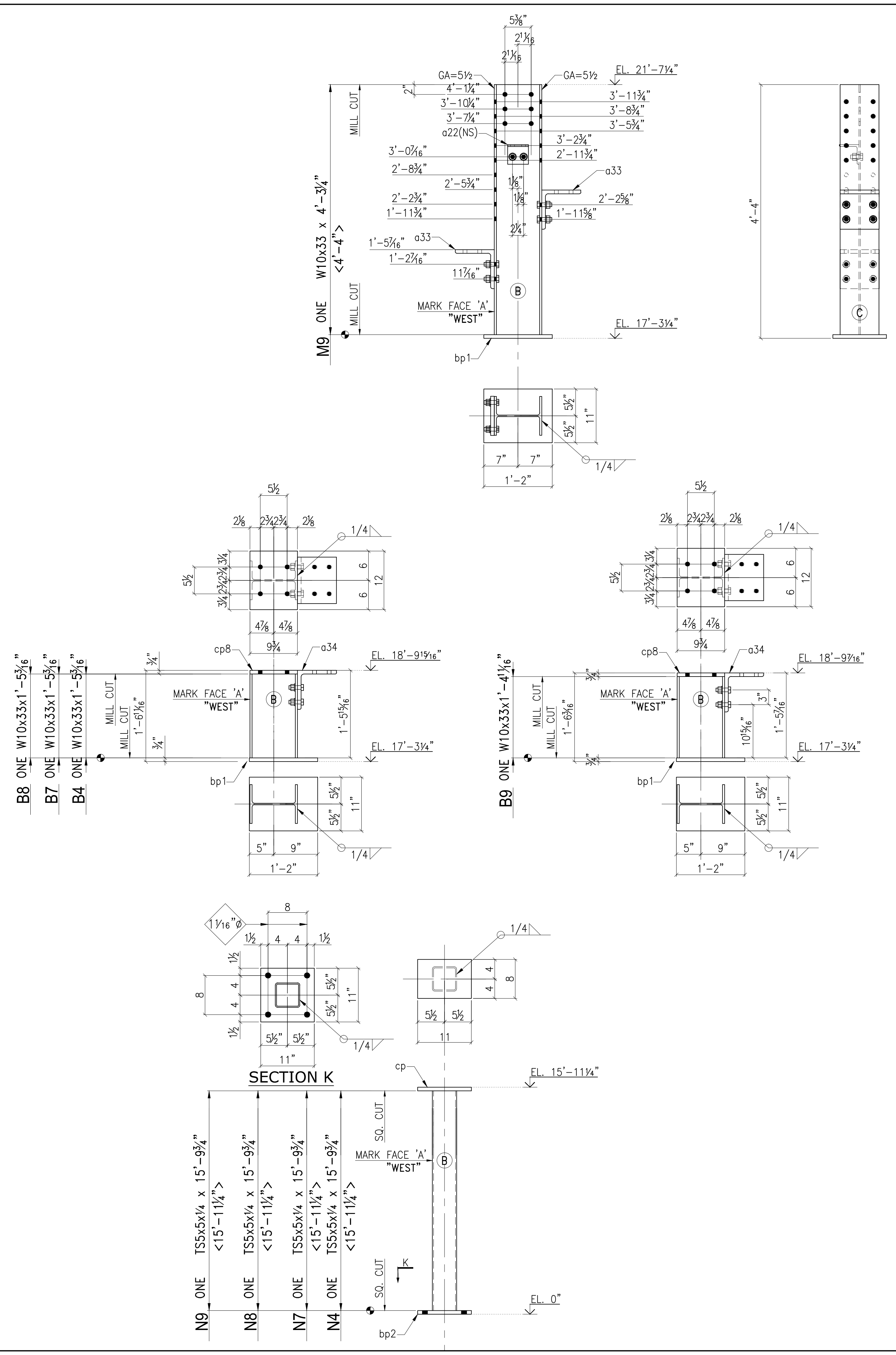
MATERIAL: A572-50 (UNO) FITTINGS: A36 BOLTS: 3/4"φ A325 SC(UNO) HOLES: 13/16"φ (UNO) WELD: E70XX ELECTRODES PAINT: AS PER SPECIFICATION	MAURO IRON WORKS, INC. 4013 10th ST. BROOKLYN, NY 11219 Ph: (718)853-0935 Fax: (718)435-9399 PROJECT: 1267 57th STREET BROOKLYN, NY TITLE: COLUMN DETAILS - BASEMENT LOCATION: 1267 57th STREET BROOKLYN, NY ENGINEER: DAVID SILBERMAN, P.E. ARCH.: ERNEST KELLER ARCHITECT CONT.: STEEL DETAILER: NYacad, Inc. www.nyacad.com ph. (646)369-9006 DRAWN BY: A.B. DATE: Jun/27/07
REVISIONS	
No. DATE	REMARKS

QTY	Pc.Mk	Minor Mk	SHAPE	LENGTH	REMARKS	STEEL
ONE	B9		TS6x6x1/2	12' 4 1/4"	SQ2E	A500 GR.B
1		bp2	PL 7/8x12	1' 4"		A36
1		cp6	PL 1/4x6	0' 6"		A36
3		ps2	PL 7/8x4	0' 5 1/2"		A36
ONE	C9		TS6x6x1/2	12' 4 1/4"	SQ2E	A500 GR.B
1		bp2	PL 7/8x12	1' 4"		A36
1		cp6	PL 1/4x6	0' 6"		A36
1		p83	PL 1/2x12	1' 6"		A36
1		ps1	PL 7/8x3	0' 7"	SHIP LOOSE	A36
2		ps2	PL 7/8x4	0' 5 1/2"		A36
ONE	H9		TS6x6x1/2	10' 10"	SQ2E	A500 GR.B
1		bp2	PL 7/8x12	1' 4"		A36
1		cp6	PL 1/4x6	0' 6"		A36
1		p83	PL 1/2x12	1' 6"		A36
1		ps1	PL 7/8x3	0' 7"		A36
2		ps2	PL 7/8x4	0' 5 1/2"		A36
ONE	T3		TS4x4x1/4	11' 9 5/16"	SQ2E	A500 GR.B
1		bp6	PL 1/2x10	0' 10"		A36
1		cp4	PL 1/4x4	0' 4"		A36
1		ps1	PL 7/8x3	0' 7"	SHIP LOOSE	A36
3		ps2	PL 7/8x4	0' 5 1/2"		A36



VERIFY IN THE FIELD
ALL DIMENSIONS AND ELEVATIONS
BEFORE FABRICATION!

MATERIAL: A572-50 (UNO) FITTINGS: A36 BOLTS: 3/4" A325 SC(UNO) HOLES: 13/16" (UNO) WELD: E70XX ELECTRODES PAINT: AS PER SPECIFICATION		MAURO IRON WORKS, INC. 4013 10th ST. BROOKLYN, NY 11219 Ph: (718)853-0935 Fax: (718)435-9399 PROJECT: 1267 57th STREET BROOKLYN, NY TITLE: COLUMN DETAILS - BASEMENT	
REVISIONS No. DATE REMARKS		LOCATION: 1267 57th STREET BROOKLYN, NY ENGINEER: DAVID SILBERMAN, P.E. ARCH.: ERNEST KELLER ARCHITECT CONT.:	
STEEL DETAILER: NYacad, Inc. www.nyacad.com ph. (646)369-9006		DRAWN BY: A.B. DATE: Jun/27/07	



QTY	Pc.Mk	Minor Mk	SHAPE	LENGTH	REMARKS	STEEL
ONE	B4		W10x33	1 5 1/16	M2E	A572-50
1		a34	L8x8x3/4	0 9 1/2		A36
1		bp1	PL3/4x11	1 2		A36
1		cp8	PL3/4x9 3/4	1 0		A36
4			3/4" A325 SC	0 3	1 HD. WASH.	
ONE	B7		W10x33	1 5 1/16	M2E	A572-50
1		a34	L8x8x3/4	0 9 1/2		A36
1		bp1	PL3/4x11	1 2		A36
1		cp8	PL3/4x9 3/4	1 0		A36
4			3/4" A325 SC	0 3	1 HD. WASH.	
ONE	B8		W10x33	1 5 1/16	M2E	A572-50
1		a34	L8x8x3/4	0 9 1/2		A36
1		bp1	PL3/4x11	1 2		A36
1		cp8	PL3/4x9 3/4	1 0		A36
4			3/4" A325 SC	0 3	1 HD. WASH.	
ONE	B9		W10x33	1 4 1 1/16	M2E	A572-50
1		a34	L8x8x3/4	0 9 1/2		A36
1		bp1	PL3/4x11	1 2		A36
1		cp8	PL3/4x9 3/4	1 0		A36
4			3/4" A325 SC	0 3	1 HD. WASH.	
ONE	M4		W10x33	21 4	M2E	A572-50
2		a22	L4x4x3/8	0 4 1/4		A36
2		a33	L8x8x3/4	0 8		A36
1		a6	L6x6x1/2	0 7 3/4		A36
2		a7	L6x6x1/2	0 7 3/4		A36
1		bp1	PL3/4x11	1 2		A36
4			3/4" A325 SC	0 2 1/4	1 HD. WASH.	
10			3/4" A325 SC	0 2 1/2	1 HD. WASH.	
ONE	M7		W10x33	21 4	M2E	A572-50
2		a22	L4x4x3/8	0 4 1/4		A36
2		a33	L8x8x3/4	0 8		A36
1		a6	L6x6x1/2	0 7 3/4		A36
2		a7	L6x6x1/2	0 7 3/4		A36
1		bp1	PL3/4x11	1 2		A36
4			3/4" A325 SC	0 2 1/4	1 HD. WASH.	
10			3/4" A325 SC	0 2 1/2	1 HD. WASH.	
ONE	M8		W10x33	21 4	M2E	A572-50
2		a22	L4x4x3/8	0 4 1/4		A36
2		a33	L8x8x3/4	0 8		A36
1		a6	L6x6x1/2	0 7 3/4		A36
2		a7	L6x6x1/2	0 7 3/4		A36
1		bp1	PL3/4x11	1 2		A36
4			3/4" A325 SC	0 2 1/4	1 HD. WASH.	
10			3/4" A325 SC	0 2 1/2	1 HD. WASH.	
ONE	M9		W10x33	4 3 3/4	M2E	A572-50
1		a22	L4x4x3/8	0 4 1/4		A36
2		a33	L8x8x3/4	0 8		A36
1		bp1	PL3/4x11	1 2		A36
8			3/4" A325 SC	0 2 1/2	1 HD. WASH.	
2			3/4" A325 SC	0 2	1 HD. WASH.	
ONE	N4		TS5x5x1/4	15 9 3/4	SQ2E	A500 GR.B
1		bp2	PL3/4x11	0 11		A36
1		cp	PL3/4x8	0 11		A36
ONE	N7		TS5x5x1/4	15 9 3/4	SQ2E	A500 GR.B
1		bp2	PL3/4x11	0 11		A36
1		cp	PL3/4x8	0 11		A36
ONE	N8		TS5x5x1/4	15 9 3/4	SQ2E	A500 GR.B
1		bp2	PL3/4x11	0 11		A36
1		cp	PL3/4x8	0 11		A36
ONE	N9		TS5x5x1/4	15 9 3/4	SQ2E	A500 GR.B
1		bp2	PL3/4x11	0 11		A36
1		cp	PL3/4x8	0 11		A36
ONE	R6		TS5x5x1/4	22 1 1/4	SQ2E	A500 GR.B
1		bp2	PL3/4x11	0 11		A36
1		cp5	PL3/4x5	0 5		A36
2		ps2	PL3/4x4	0 5 1/2		A36

MATERIAL: A992-50 (UNO)
FITTINGS: A36
BOLTS: 3/4" A325 N (UNO)
HOLES: 13/16" (UNO)
WELD: E70XX ELECTRODES
PAINT: AS PER SPECIFICATION

N&C IRON WORKS INC.
1117 60th ST. BROOKLYN, NY 11219
Ph: (718)633-0900 Fax: (718)436-0334

PROJECT: ULTRA FLEX
TITLE: COLUMN DETAILS

REVISIONS		LOCATION:
No.	DATE	REMARKS

ENGINEER:
ARCH.:
CONT.:
STEEL DETAILER: NYacad, Inc.
www.nyacad.com ph. (646)369-9006
DRAWN BY: A.B. DATE: Dec/14/09

DRAWING C1